

ATS-385 *Ver1.0*

Automatic Transfer Switch Control Unit Operation Manual

For AC380/415V Used Only



KUTAI ELECTRONICS INDUSTRY CO., LTD.

TEL : +886-7-8121771

FAX : +886-7-8121775

Website : www.kutai.com.tw

Headquarters : No.3, Ln. 201, Qianfu St., Qianzhen Dist., Kaohsiung City 806037, Taiwan

ISO 9001
ETC

TABLE OF CONTENTS

Section	Page
SECTION 1 : INTRODUCTION	
1.1 Preliminary Comments And Safety Precautions.....	3
1.2 Overview.....	3
1.3 Product Overview.....	3
1.4 Functions / Features.....	3
SECTION 2 : OPERATOR PANEL	
2.1 General.....	5
2.2 Display Window.....	5
2.3 Function Buttons.....	5
2.4 Panel LED Outputs.....	5
SECTION 3 : OPERATION	
3.1 General.....	6
3.2 AUTO Mode.....	6
3.3 OFF Mode.....	6
3.4 Manual Test Mode (TEST).....	7
3.5 Programming Instruction.....	7
3.6 Remote Communication Instruction.....	7
3.7 KCU Remote Connection Passwords Recovery.....	8
3.8 Voltage Adjustment.....	8
3.9 Line By Line Programming Table.....	10
3.10 Specification Summary.....	11
SECTION 4 : INSTALLATION INSTRUCTIONS	
4.1 General.....	12
4.2 Figure / Size / Installation Reference.....	12
SECTION 5 : TYPICAL WIRING	

SECTION 1 : INTRODUCTION

1.1 Preliminary Comments and Safety Precautions

The manual covers installation, operation and maintenance of the ATS-385 Automatic Transfer Switch PLC Controller. This manual is for use by authorized and qualified personnel only.

<p style="text-align: center;">WARNING</p>

<p style="text-align: center;">High voltage will cause severe injury or death</p>
--

1.2 Overview

Transfer switches protect critical electrical loads against loss of power. A standby (emergency) generator backs up the normal grid power. The transfer switch connects Normal and Standby source supply to the load. When power is lost from Normal source, the transfer switch transfers the load to the standby source. After power is restored, the ATS will transfer the load back to Normal source.

1.3 Product Overview

The ATS-385 is a multifunction programmable logic automatic transfer switch controller. Suitable for 1 phase and 3 phase system, including all necessary monitoring and protections.

Controller's features :

- Microprocessor based & Polycarbonate panel.
- Membrane switch button designed. *1
- Compact size with user-friendly LED display.
- Programmable for cycle-mode or fix-mode displays for 3-phase and 1-phase voltages and frequencies.
- All programming and operations can be configured on the front panel.
- Monitors Normal and Standby power for Over / Under voltage anomalies.
- Monitors Normal and Standby power for Over / Under frequency anomalies.
- Exercise with or without load.
- 1 week to 4 weeks automatic scheduled exercise / testing.
- Transfer failure output signal.
- Pre-alert warning signal output for transferring operation.
- Pre-alert warning signal output for scheduled automatic Exercise / testing.
- Compatible with most ATS switches on the market.
- Communication Port for Remote Monitoring and Control Options. (USB / RS485 / Ethernet / WI-FI modules SIM Card).
- Program on-site or from remote (mobile) device (PC, Smartphone).

- Auto-saved settings (memory preserved throughout all power disconnects and resets).
- Front panel display provides source status and fail alarm indications.

1.4 Functions / Features

The primary function of ATS-385 controller is to monitor Normal / Standby power and to provide seamless automatic transfer of load.

1.4.1 Operational Simplicity

From installation to programming and to usage, the ATS-385 controller is designed with operational simplicity in mind. The user-friendly front panel interface simplifies routine operation, programming and setting adjustments.

1.4.2 Standard Features

All logic settings for different ATS's are preprogrammed and stored in its non-volatile random-access memory (NVRAM), this memory retains its information when power is turned off. Some features and set points are user adjustable.

Feature 1 : Time Delay Emergency to Normal (TDEN)

TDEN delays the transfer from the emergency source to the normal Source to permit stabilization of the normal source before retransfer is made. Timing begins when the normal source becomes available. (Refer to program table line 3)

Adjustable TDEN time range : 00 – 999 sec.

Feature 2 : Time Delay Normal to Emergency (TDNE)

TDNE delays the transfer from normal to emergency to permit stabilization of the generator before the retransfer is made. Timing begins when the standby source becomes available. (Refer to program table line 4)

Adjustable TDEN time range : 00 – 250 sec.

Feature 3 : Time Delay Engine Start (TDES)

The TDES Time (Delays Engine Start) this timer prevents nuisance start because of momentary electrical glitches. If power normalizes before the countdown ends, the controller skips the engine start and resets the timer. (Refer to program table line 5)

Adjustable TDES time range : 00 – 30 sec.

Feature 4 : Time Delay Engine Cool-down (TDEC)

TDEC permits the generator to run unloaded after the ATS retransfer back the load to Normal source. Timing begins when the ATS connects back to Normal source. (Refer to program table line 6)

Adjustable TDEC range : 00 – 250 sec.

Feature 5 : Time Delay Center OFF Position

This timer temporarily stops the switch in the center OFF position (completely cut off) before proceeding to Normal source. (Refer to program table line 7)

Adjustable time delay range : 00 – 99 sec.

Feature 6 : Full Phase Over / Under Voltage and Loss of Phase Sensing

The controller monitors full phase output voltage from Normal and Standby source. The user can program over & under voltage window. (Refer to program table line 8, 9, 10, 14, 15 & 16)

O/V adjustment range : 390 – 490 Vac

O/V reset value : -10 Vac (Not adjustable)

U/V adjustment range : 300 – 410 Vac

U/V reset value : +10 Vac (Not adjustable)

Feature 7 : Under / Over Frequency Sensing

The controller monitors Normal and Standby source frequency. The client can set the over & under frequency range. (Refer to program table line 11, 12, 13, 17, 18 & 19)

O/F adjustable range : 51 – 75 Hz

O/F reset value : -1 Hz (Not adjustable)

U/F adjustable range : 40 – 59 Hz

U/F reset value : -1 Hz (Not adjustable)

Feature 8 : Programmable exerciser

It can be set to exercise one time per week to one time every 4 weeks on any day and time, with or without load. The length of the exercise is also set. (Refer to program table line 23, 24, 25, 26 & 27)

Feature 9 : Failure Warning Output

The controller also has one dry contact that can be set to react to one of four warning. (Refer to program table line 30)

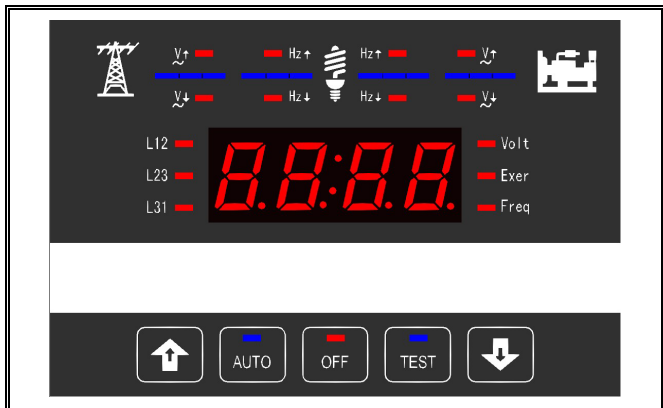
- Transfer failure warning
- Pre-transfer warning
- Pre-test / exercise warning
- When ATS is in emergency position warning

NOTICE

ATS-385 provides one auxiliary contact for external output signal for Transfer Failure, Pre-transfer or Pre-exerciser alarm output.

Feature 10 : Controller Panel Lighting Test

This checks the LED lights. Press the OFF button twice, all panel LEDs must light up.



SECTION 2 : OPERATOR PANEL

2.1 General

Get acquainted with the ATS-385 :

- Front Display Window
- Function Buttons
- Panel LEDs Display

2.2 Display Window

The ATS-385 controller has a four-digit, seven-segment displayer to monitor all parameters, setting and messages.

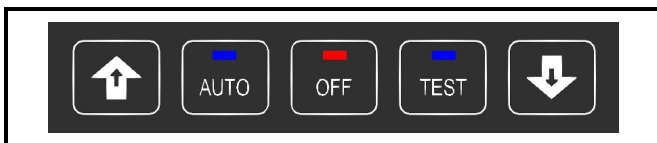
The screen display's :

- Full phase voltage / frequency display
- Current Time HH : MM (In OFF only)
- Time delay countdown display
- Program setting parameter display



2.3 Function Buttons

The front panel employs five membrane switch buttons.



2.3.1 Increase (▲) Button

In AUTO Mode, each press of the up (▲) button changes the display to the next phase voltage reading.

However, when programming every press of the up (▲) button increases the displayed parameter by a single unit. If held, the up (▲) button continues to scroll.

2.3.2 Decrease (▼) Button

In AUTO Mode, each press of the down (▼) button changes the display between voltage, duty time and frequency.

However, when programming every press of the down (▼) button decreases the displayed parameter by a single unit. If held, the down (▼) button continues to scroll.

2.3.3 AUTO Button

When selecting the AUTO button, the ATS-385 runs in automatic mode (AUTO) lighting the corresponding LED to indicate the selection. The controller automatically starts the generator, transfer and retransfers from Normal to Standby source as commanded by the features supplied and the preprogrammed setting.

2.3.4 TEST Button

Pressing the TEST button simulates a power failure In TEST the generator starts and begins a preprogrammed execution and testing sequence made with or without loading the generator. (Refer to program line 28)

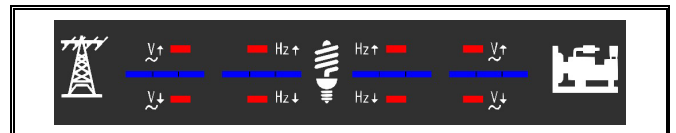
2.3.5 OFF Button

Pressing the OFF again, turns the ATS-385 OFF engaging a flashing red LED instantly disabling all functions and the screen shows the current time.

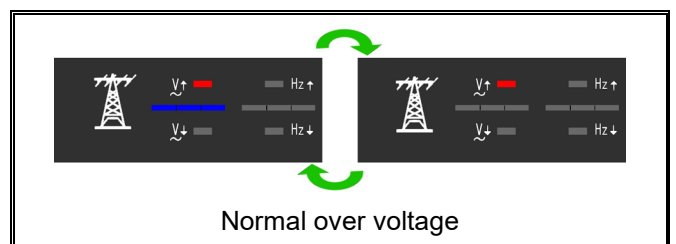
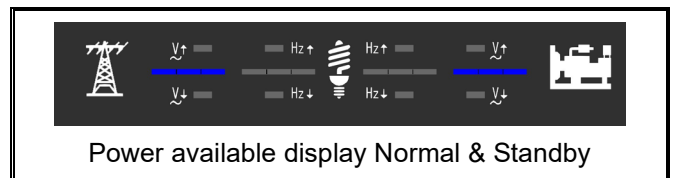


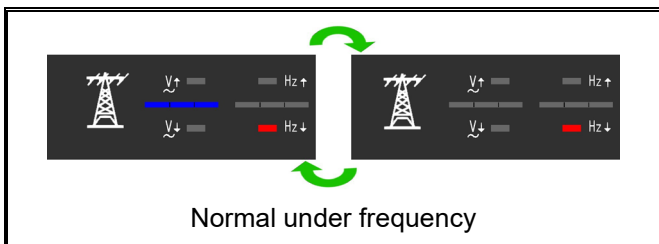
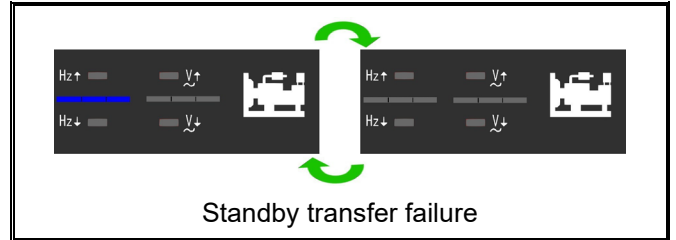
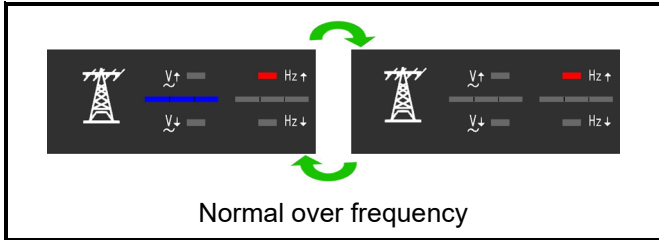
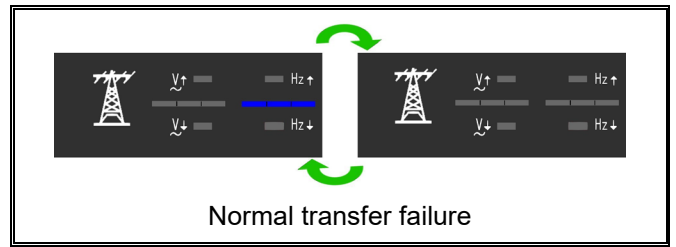
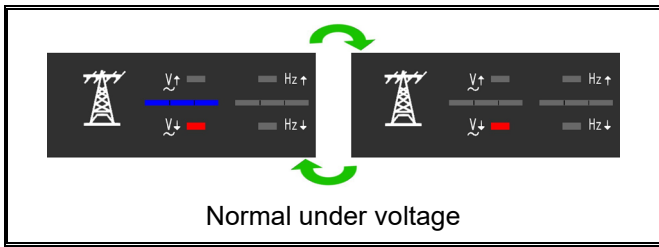
2.4 Panel LED Outputs

Eight individual red and blue LEDs light bars perform or indicating each function.



Information concerning the LEDs output





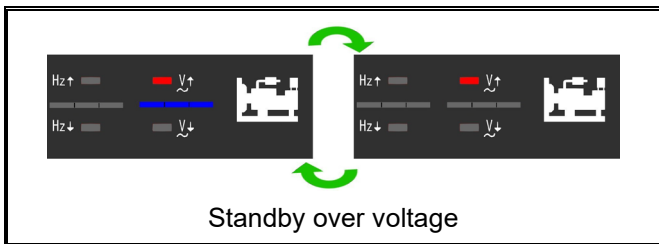
SECTION 3 : OPERATION

3.1 General

The five functions of the ATS-385 :

- AUTO Mode
- OFF Mode
- Manual Test Mode (TEST)
- Programming Instruction
- Remote Communication Instruction

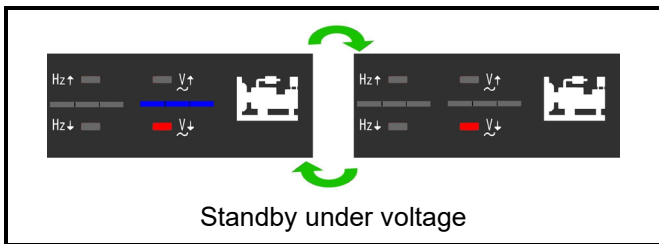
The practical use of each operation under each category will be explained in this section. It is assumed that prior sections are understood, and the operator has a basic understanding of the hardware.



3.2 AUTO Mode

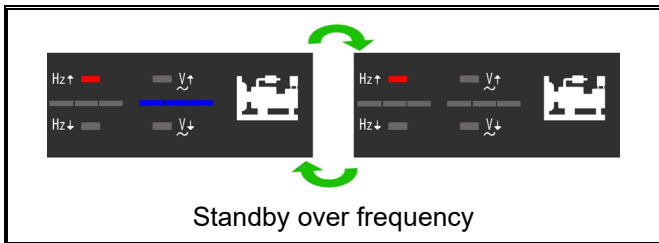
The AUTO mode provides automatic engine start, stop, and power transfer and retransfers from source to source as dictated by the values previously programmed.

The ATS-385 constantly monitors the condition of both Normal and Standby source.

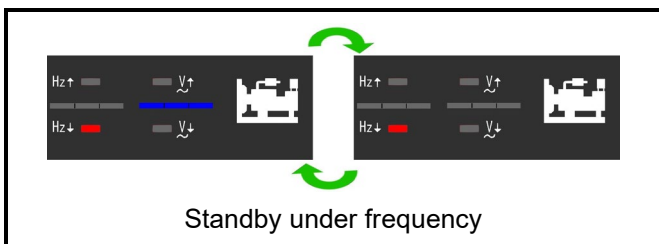


3.3 OFF Mode

In OFF mode, the ATS-385 disables all the transfers and protection functions with all LED indicators off leaving the display screen only showing the time. User can test the LEDs by pressing the OFF button twice. Check and reset the clock every year. The wrong time can affect the schedule exerciser. Without power, the controller can maintain the clock working for up to a week.



However, when programming, the OFF button allows you to move to the next program line and then change the values for that line using down (▼) and up (▲) buttons.



3.4 Manual Test Mode (TEST)

Pressing TEST simulate a loss of Normal power source. Permitting the controller to start the engine and carry out a power transfer. TEST can be with load or without load.

To end, press the AUTO button. If Normal power is available, the controller transfer back to Normal and the engine follow the program shutdown procedure to stop the generator. However, by pressing the OFF button, the transfer switch remains in its current position stopping the engine, and bypassing all time delays.

3.5 Programming Instruction

Program the controller from the front faceplate.

To start, set the controller to OFF and press & hold the OFF button for 4 seconds. The word "Vr" appears on the display for 2 seconds, showing the software version.

You are now ready to start the line-by-line programming sequence. Always press the OFF button to move to the next line. To change the parameter, on each line use the up (▲) and down (▼) arrows. Repeatedly pressing the up (▲) or down (▼) button, changes the displayed by one. To change faster, hold the buttons down.

Remember to always press the "OFF" button to move to the next line or until the "End" appears on the screen.

Note : To end and exit at any time, hold the "OFF" button down for 4 seconds.

If you make an error or need to return to factory settings, stay or reenter programming and then hold the AUTO button down for 4 seconds, until the word "Au.Po" appears on the screen verifying that all programming lines are factory reset back like in the manual. (See line-by-line programming table for ATS-385 factory settings).

3.6 Remote Communication Instruction

You can monitor and control two gen-sets on a remote PC/Smartphone using the remote communication modules manufactured by Kutai Electronics.

Model	Communication interface
KCU-30	Ethernet (Dynamic IP)
KCU-40	Wi-Fi
KCU-05A	Modbus RTU
KCU-70	Modbus TCP

WARNING

A remote start signal can start an engine via ATS-385 without warning. Place a "Danger" sign next to the generator stating it can start anytime! A warning buzzer / light installed is recommended. Unexpected engine starts can result in serious injury or death. When performing service or maintenance, always disconnect the remote start signal input.

When KCU-30, KCU-40 module is installed on ATS-385, it allows you to remote monitor or operate ATS and generator via iphone or Android mobile phones. Supports both Apple iOS and Android operating systems.

Download Free "**GenOnCall®**" APP by searching "Kutai" in Apple Store or Google Play.

The corresponding program settings for ATS-385 installed with KCU-XX module includes item (32), (33), (34) Programming item (32) is a must. When Item (32) is set to "00" Disable, then the remote monitoring software is restricted to read information only whereas remote command is strictly forbidden.

When KCU-70 – Modbus TCP communication module is installed, additional program setting on lines (33) is required. When KCU-05A Module is installed, additional program setting on lines (33) and (34) are necessary.

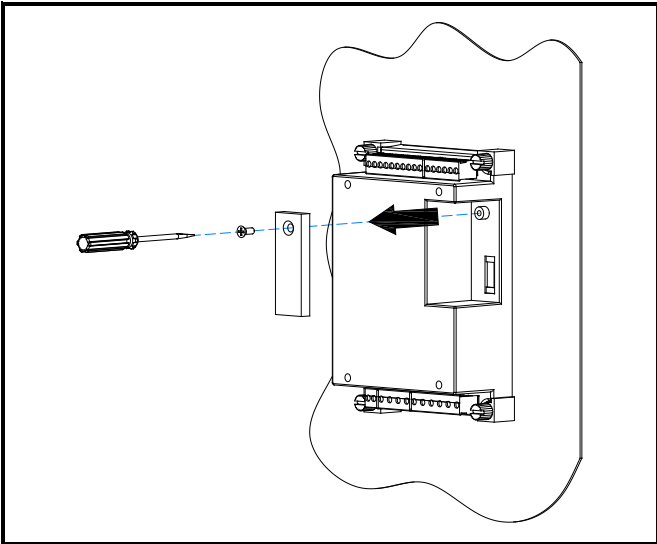
Refer to KCU-XX hardware and software manual for detail information

WARNING

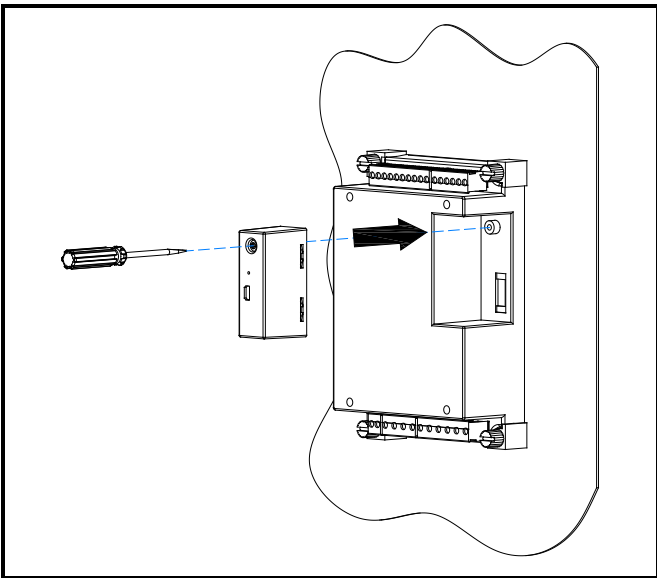
When using the ATS-385 with KCU-70 or KCU-05A Module, the module address settings (00: unused, 1-99) configured in the controller must be unique.

The installation for the KCU-XX communication module on the ATS-385 controller is fairly simple.

Step 1 : Remove the slot cover from the back of controller.



Step 2 : Insert KCU-XX module into the slot and tighten the screw.



3.7 KCU Remote Connection Passwords Recovery

Step 1 : Make sure the KCU module is installed on the controller before carrying out remote connection passwords recovery.

Step 2 : Enter Program mode and set the program item (36) to (01) and press OFF button. 4-digit numbers "0000" and "9999" will appear on the display window about two seconds. Then "End" appears which means passwords have been restored successfully.

NOTICE

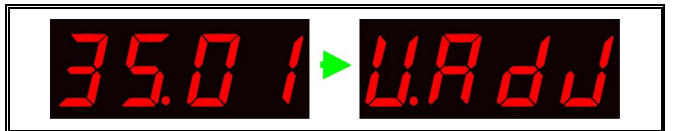
Program Line 36 is only available when KCU Module is installed on the ATS-385 controller.

3.8 Voltage Adjustment

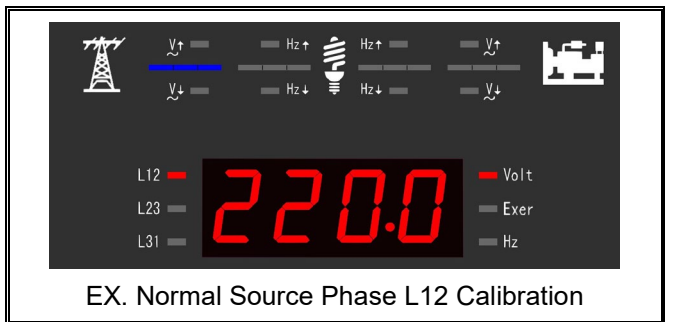
The ATS-385 voltage readings are factory set and calibrated. However, if you need to modify any voltage reading, follow these steps.

Step 1 : Ensure supply is connected to both the normal and standby line sides before undertaking Voltage calibration, and then manually start standby generator to generate power.

Step 2 : Enter Program mode and set the program item (35) to (01). "VAdJ" will appear on the display window.

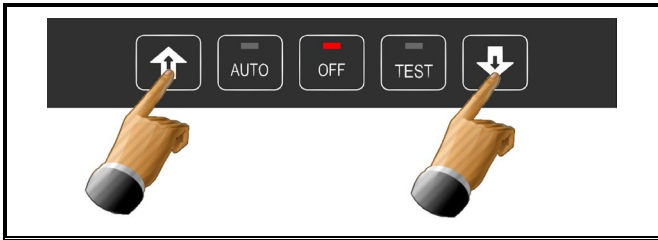


Step 3 : Select the phase you wish to re-calibrate by pressing the OFF button.



Step 4 : Use a good quality voltmeter as a reference to calibrate the ATS-385 voltage reading to the desired phase.

Step 5 : With the up (▲) and down (▼) buttons reset the voltage reading on the ATS-385.



Step 6 : Press the “OFF” button to move to the next phase or until the word “End” appears on the screen. To exit hold the “OFF” button at any time for 4 sec.



Step 7 : If you get “FAIL”, the calibration is null. Press the OFF button to reset and repeat Step 1.



SECURITY NOTICE AND LIABILITY DISCLAIMER

You are responsible for keeping your KCU Remote Connection Passwords (Administrator/Viewer) safe and confidential because they are the key to access your equipments.

There will be potentially serious security issues if your passwords are compromised. Some of the risks of compromised security include the equipment being remotely controlled by third parties, who may have criminal intent and malicious damage to your equipments.

We are entitled to rely on any use of our connection services using that password as being use by you and authorized by you. If you know or believe that there is any unauthorized, fraudulent or unlawful use of your password, you must reset it in the controller. (Refer to controllers user manual for connection password reset)

3.9 Line By Line Programming Table

Line	Description	Value	Factory Setting
1	Is this ATS operating in 1 Phase or 3 Phase?	00 → 1 Phase 01 → 3 Phase	01
2	Select Switch ATS type See drawing on the back of this manual for guide on different ATS types	00) MCCB BTS type ATS (Single motor) 01) Mot type (MCCB with separate motor) 02) Air circuit breaker type (ACB) 03) Double throw type (Without OFF position) 04) Double throw type (With OFF position) 05) Kutai TS-XXX type ATS 06) Magnetic contactor type ATS (MC)	00
3	TDEN Time Delay Emergency to Normal	00 – 999 sec.	10 sec.
4	TDNE Time Delay Normal to Emergency	00 – 250 sec.	10 sec.
5	TDES Time Delay Engine Start	00 – 30 sec.	5 sec.
6	TDEC Time Delay Engine Cool-down	00 – 250 sec.	30 sec.
7	Time Delay in the OFF Position	00 – 99 sec.	5 sec.
8	Normal over voltage protection setting	39 – 49 (390 – 490V)	42 (420V)
9	Normal under voltage protection setting	30 – 41 (300 – 410V)	34 (340V)
10	Time delay if there is a problem with the Normal voltage	00 – 99 sec. (0 = Disable voltage monitoring)	1 sec.
11	Normal over frequency protection setting	51 – 75 Hz	65 Hz
12	Normal under frequency protection setting	40 – 59 Hz	55 Hz
13	Time delay if there is a problem with the Normal frequency	00 – 99 sec. (0 = Disabled Hz monitoring)	1 sec.
14	Generator over voltage protection setting	39 – 49 (390 – 490V)	42 (420V)
15	Generator under voltage protection setting	30 – 41 (300 – 410V)	34 (340V)
16	Time delay if there is a problem with emergency voltage output	00 – 99 sec. (0 = Function disabled)	1 sec.
17	Generator over frequency setting	51 – 75 Hz	65 Hz
18	Generator under frequency setting	40 – 59 Hz	55 Hz
19	Time delay if there is a problem with the Generator frequency	00 – 99 sec. (0 = Function disabled)	1 sec.
20	Set today's day of the week– Day	1 – 7 (Monday to Sunday)	current
21	Set today's hour – hour	00 – 23	Current
22	Set today's minutes	00 – 59	current
23	Set day of week to do the engine exercise	1 – 7 (Monday to Sunday)	6
24	Set the time to start the exercise	00 – 23 (24 Hr Mode)	12
25	Set generator automatic exercise cycle	01) 1 week 03) 3 weeks 02) 2 weeks 04) 4 weeks	01
26	Exercising duration	00 – 99 minutes (0 = Do not exercise)	00
27	Exercise with load or without load	00) Without load 01) With load	00
28	Test with load or without load	00) Without load 01) With load	01
29	Display setting	00) Cyclic Mode 01) Fix Mode	00

Line	Description	Value	Factory Setting
30	Program the auxiliary contact output (User can only select a single warning signal to be programmed for the auxiliary output)	00) Transfer failure 01) Pre-transfer 02) Pre-exerciser 03) When the ATS is in emergency position	01
31	Pre-transfer / Pre-exercising time delay before transfer load from one source to another source	00 – 99 sec.	10
32	Remote control by KCU-XX module	00 → Disable 01 → Enable	00
33	KCU-70 and KCU-05A module address	00 → KCU module restricted 01 – 99	00
34	KCU-05A Module transmission rate	01 → 115200 04 → 19200 07 → 4800 02 → 57600 05 → 14400 08 → 2400 03 → 38400 06 → 9600 09 → 1200	03
35	Enter AC voltage correction	00 → No 01 → Yes	00
36	Restore KCU Remote Connection Passwords to original factory default settings. (Administrator : 0000, Viewer : 9999)	00 → No 01 → Yes	00

3.10 Specification Summary

Description	Specification
AC Voltage Input Range	300 – 490 Vac 50/60 Hz
AC Voltage Display Range	300 – 490 Vac 50/60 Hz
Frequency Measurement Range	40 – 75 Hz
Remote Start Contact	7A @ 250 Vac Max
Normal ON Contact	5A @ 250 Vac Max
Emergency ON Contact	5A @ 250 Vac Max
Auxiliary Contact Output	7A @ 250 Vac Max
Operating Temperature	-20 to +60 °C
Storage Temperature	-30 to +80 °C
Relative Humidity	Max. 90%
Panel Cut-Out	168.0 (L) x 113.0 (W) +/- 0.5 mm
Dimensions	180.0 (L) x 125.0 (W) x 51.0 (H) mm
Weight	890 g +/- 2%

NOTICE

The control unit has no built-in protection fuses. Protection fuses should be installed when connection. It is recommended to use the original factory equipment BUSSMANN S505H, 5Amps.

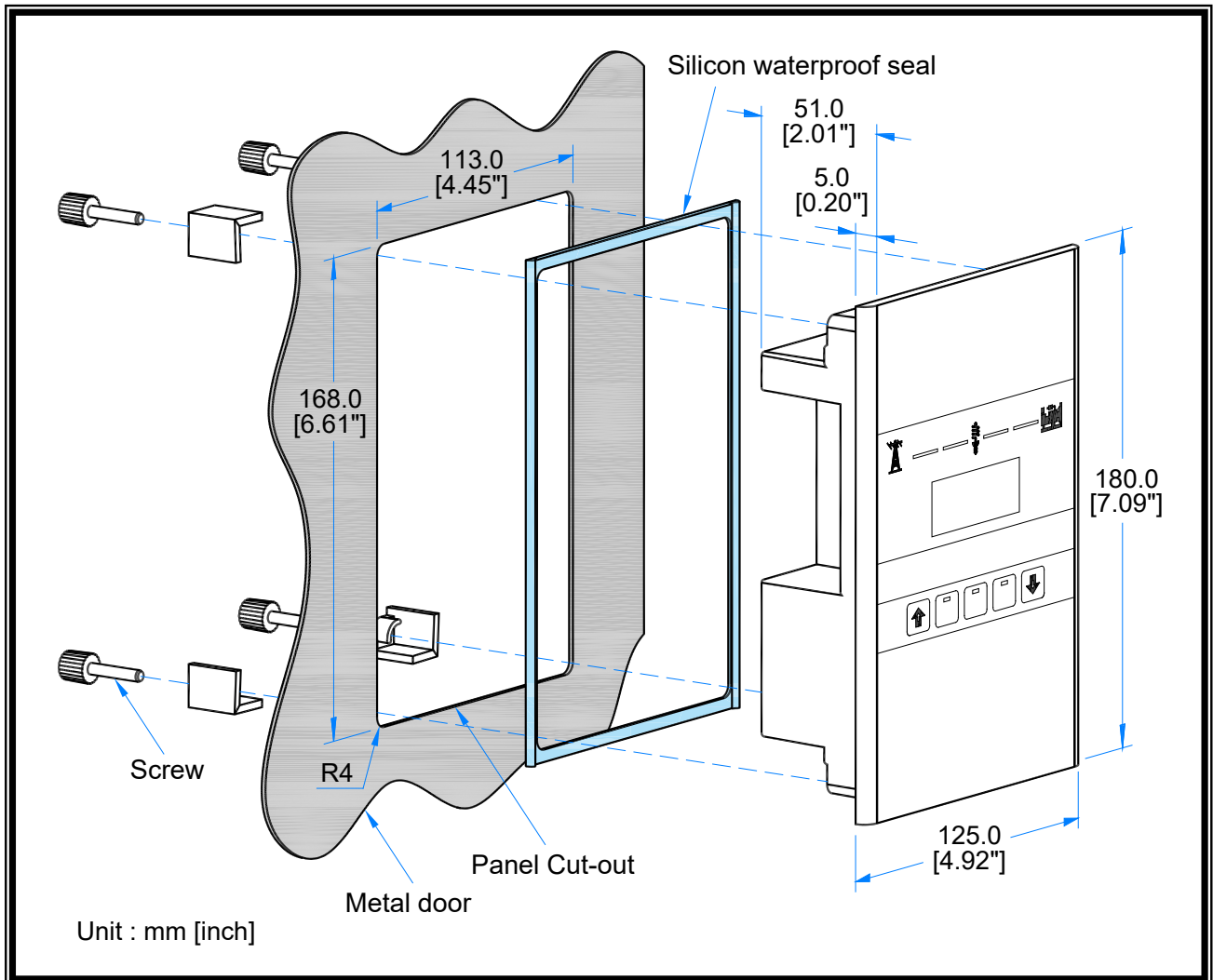
Failure to add a protective fuse or change to another brand or current value may result in damage to the control unit.

SECTION 4: INSTALLATION INSTRUCTIONS

4.1 General

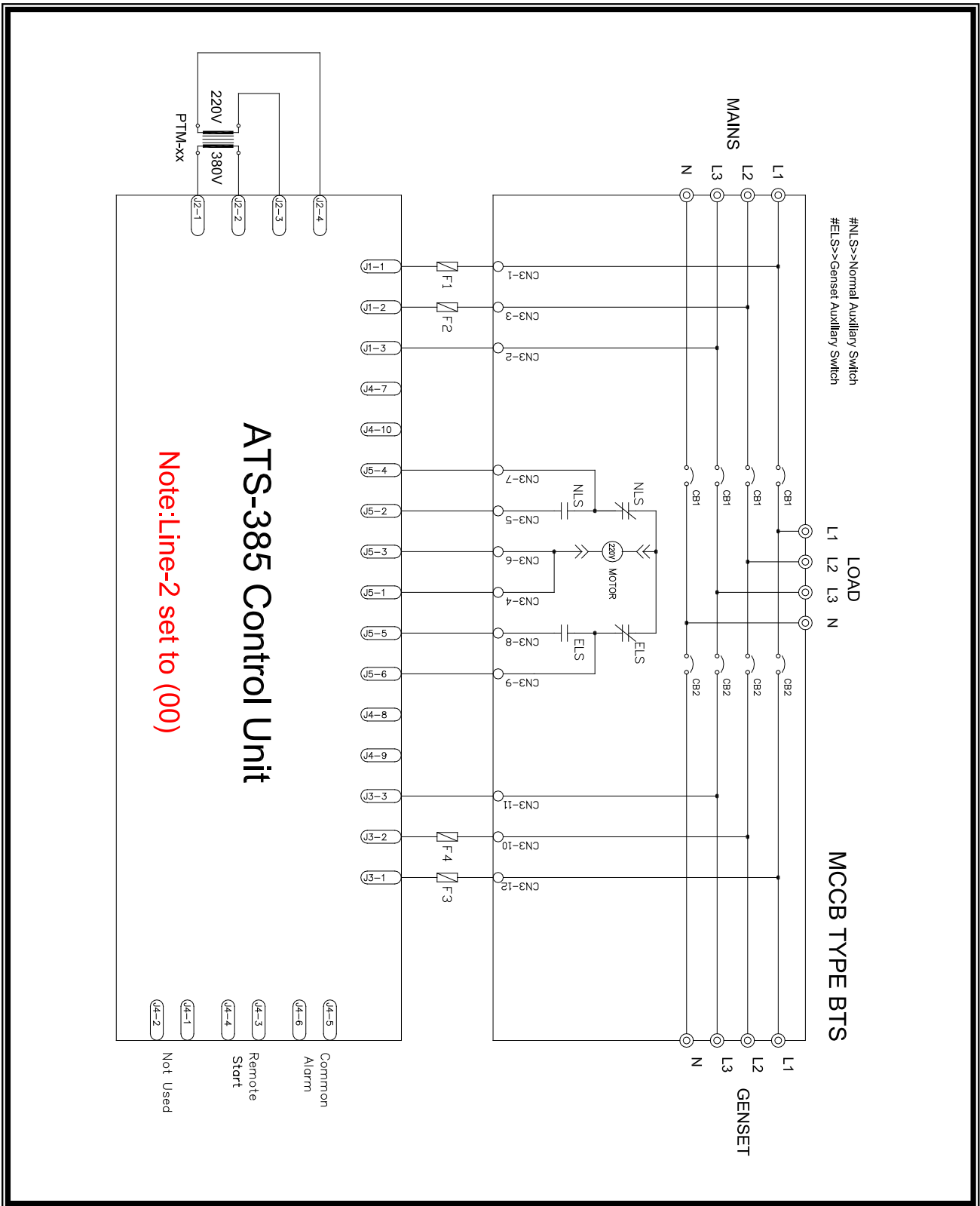
The ATS-385 is made for front panel mounting.

4.2 Figure / Size / Installation Reference (All Dimensions in mm.)

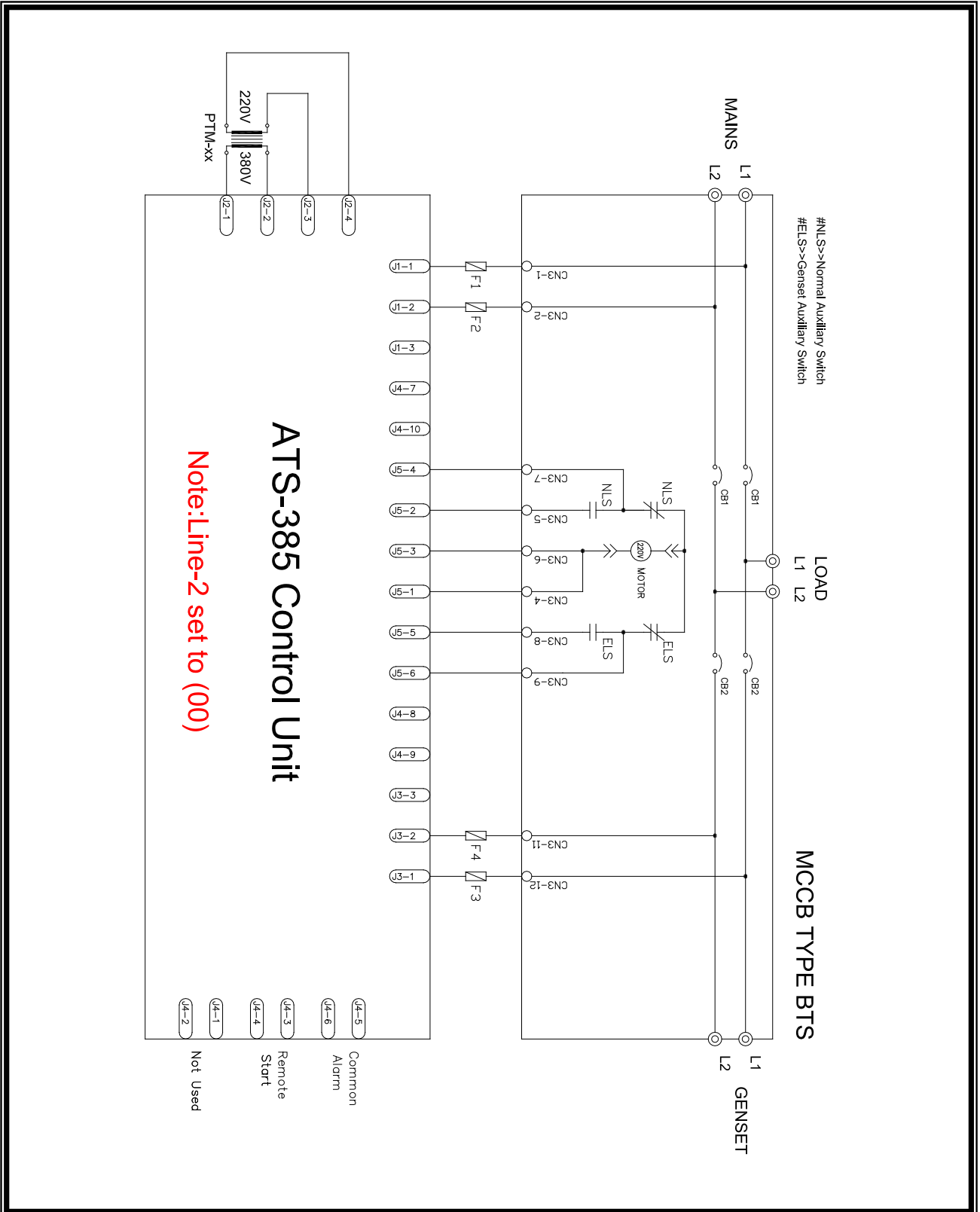


SECTION 5 : TYPICAL WIRING

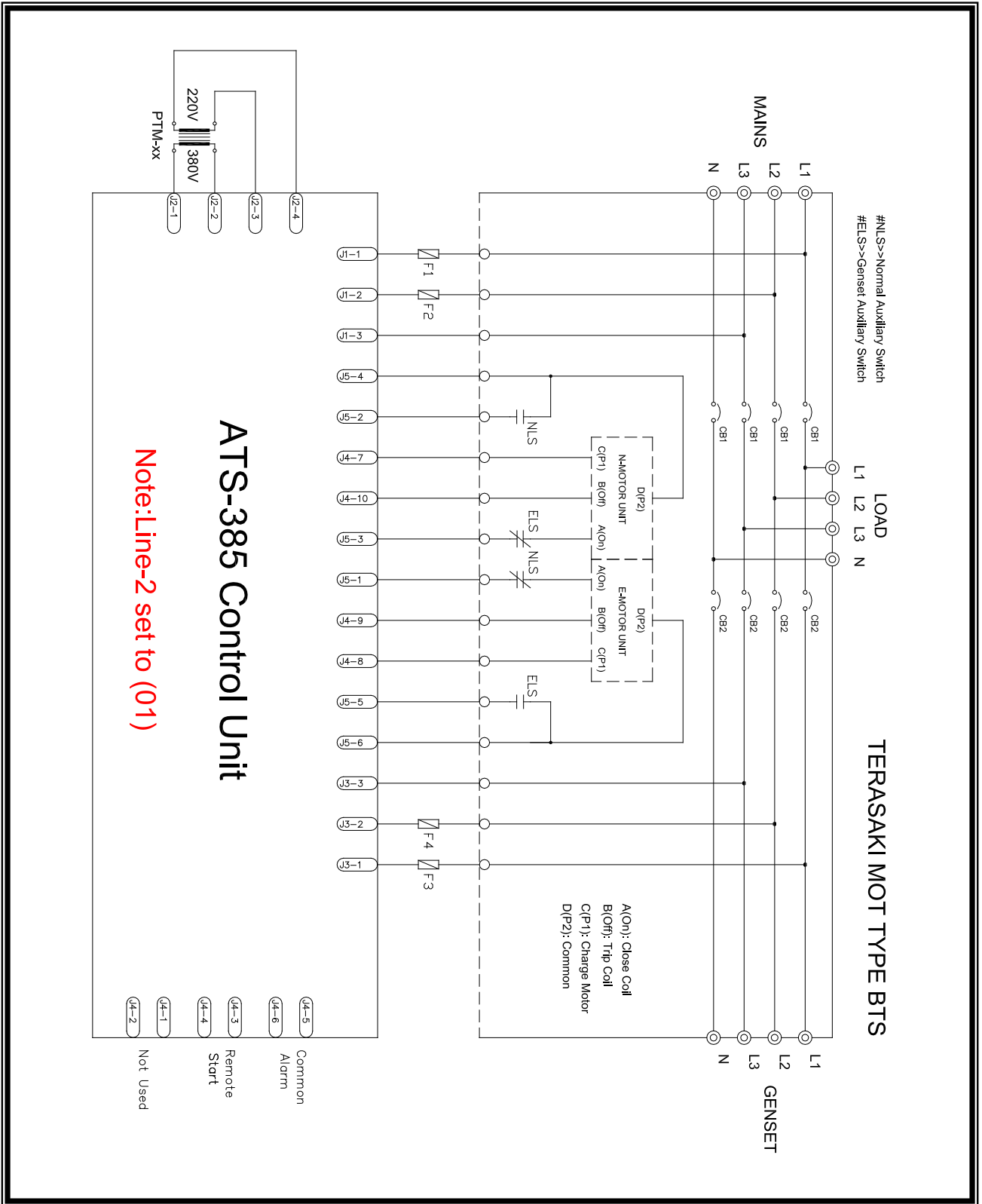
5.1 Single motor MCCB Type ATS Wiring Diagram (3P/4P) – Called BTS Switch



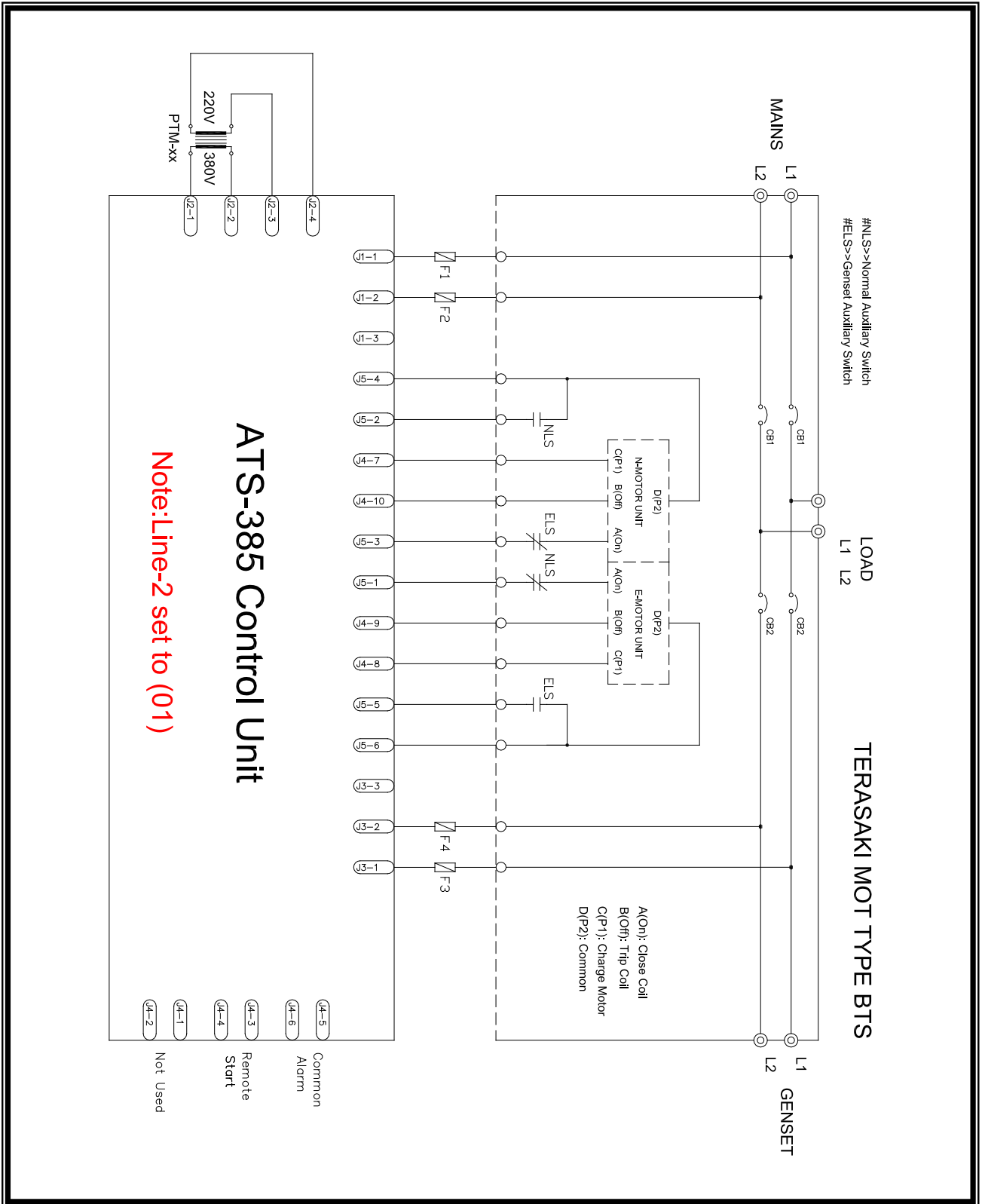
5.2 Single Motor MCCB Type ATS Wiring Diagram (2P) – Called BTS Switch



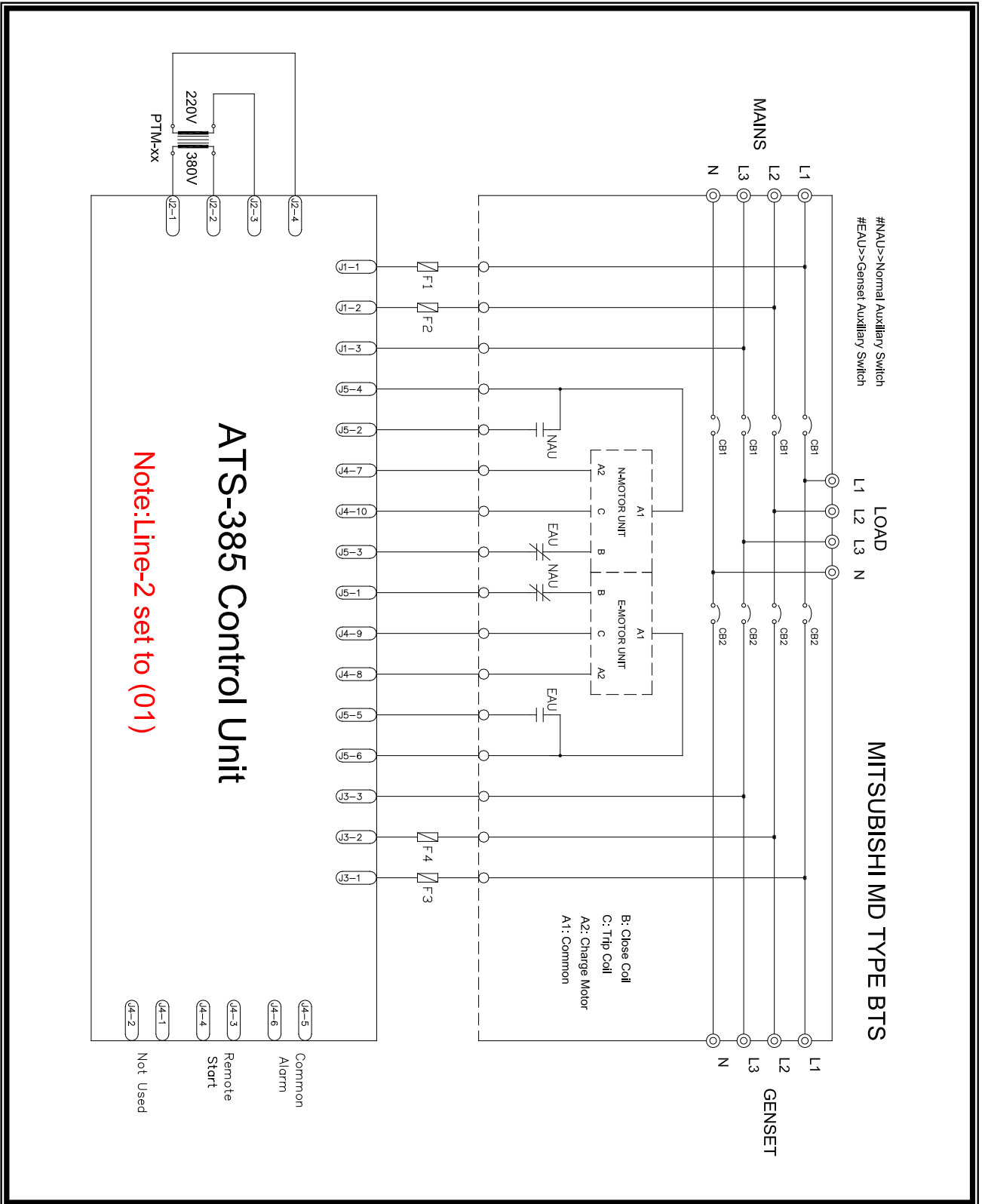
5.3 TERASAKI MOT Type ATS Wiring Diagram (3P/4P) – MCCB With Separate Motor



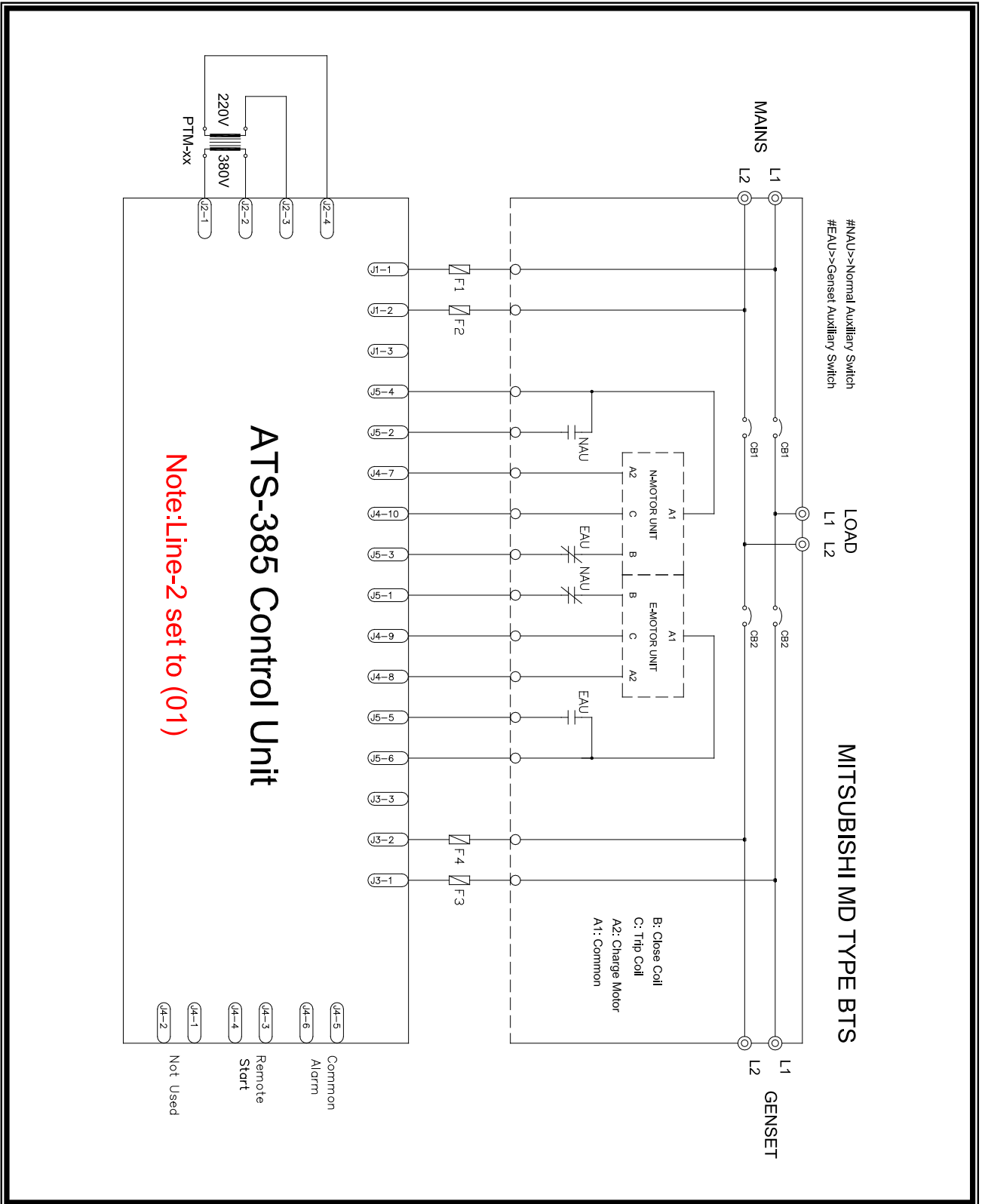
5.4 TERASAKI MOT Type ATS Wiring Diagram (2P) – MCCB With Separate Motor



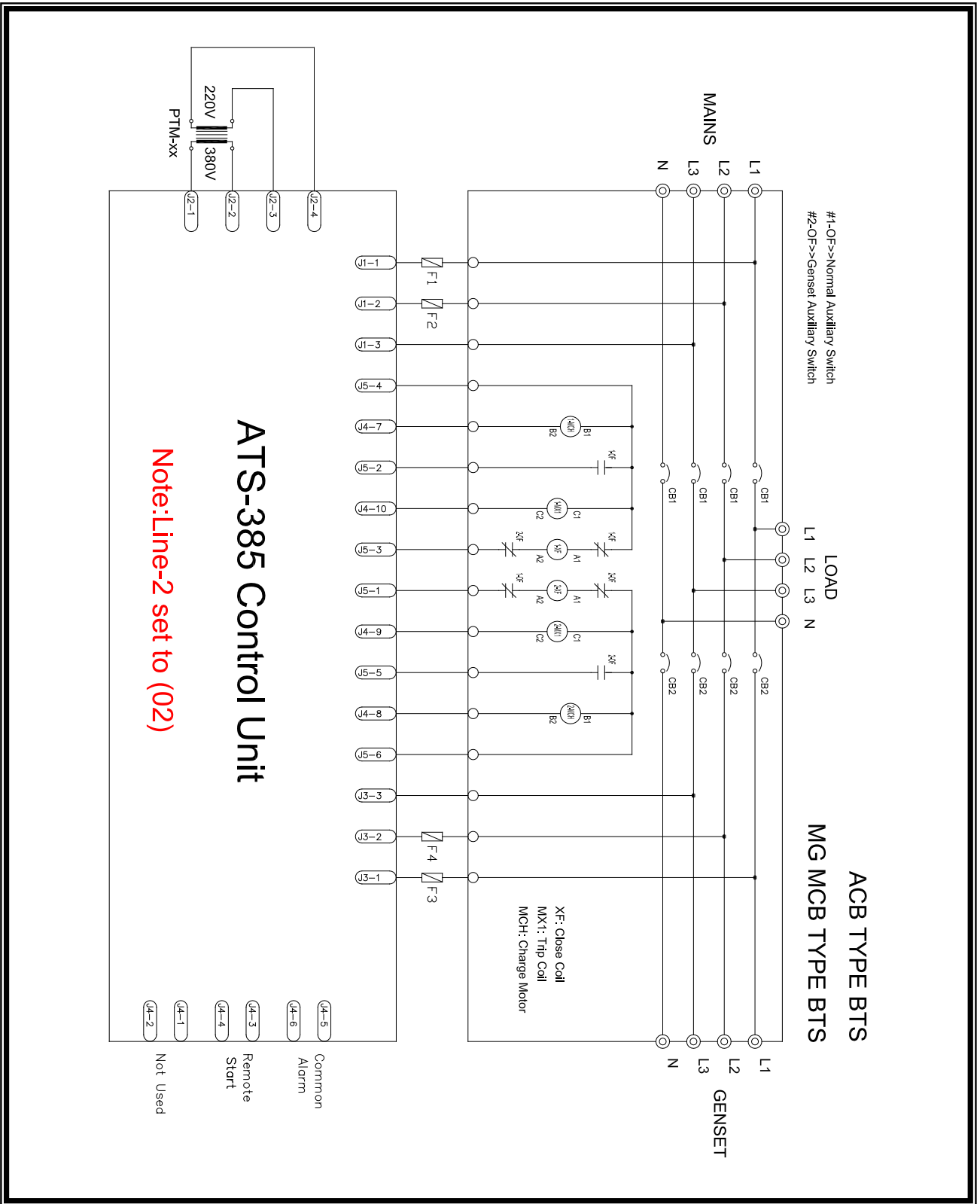
5.5 MITSUBISHI MD Type ATS Wiring Diagram (3P/4P) – MCCB With Separate Motor



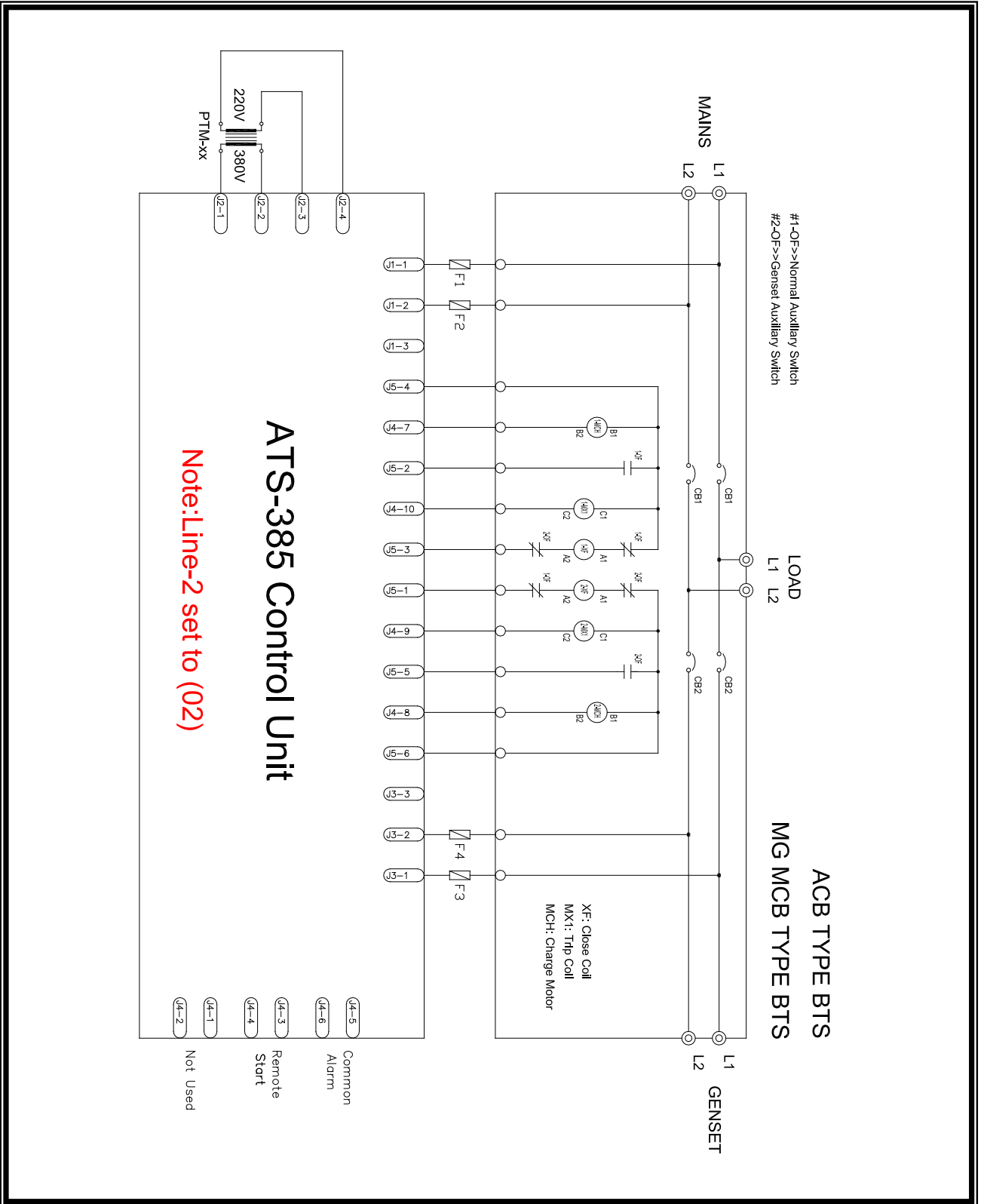
5.6 MITSUBISHI MD Type ATS Wiring Diagram (2P) – MCCB With Separate Motor



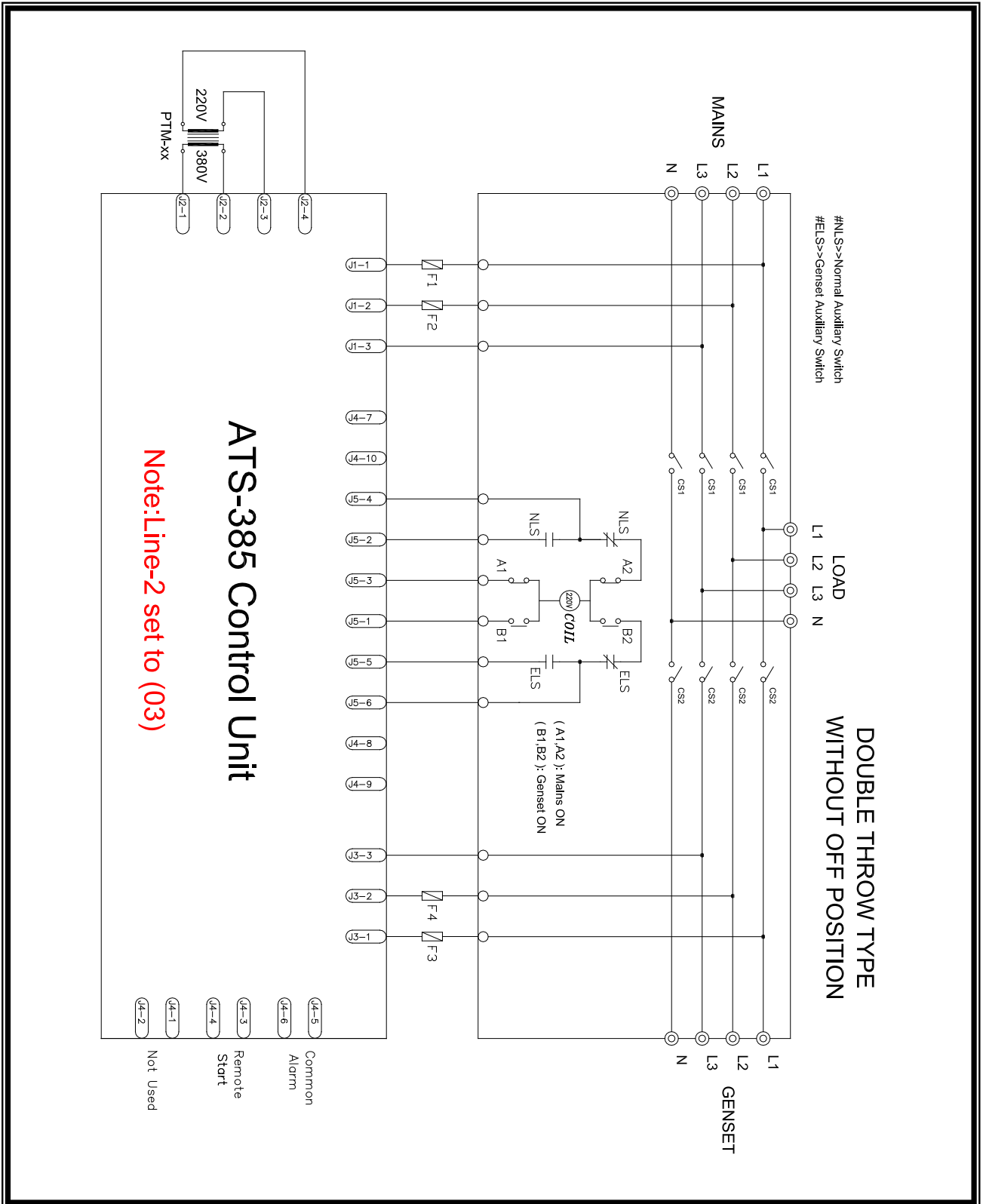
5.7 Air Circuit Breaker Type ATS Wiring Diagram (3P/4P)
 Merlin Gerin MCB Type ATS Wiring Diagram (3P/4P)



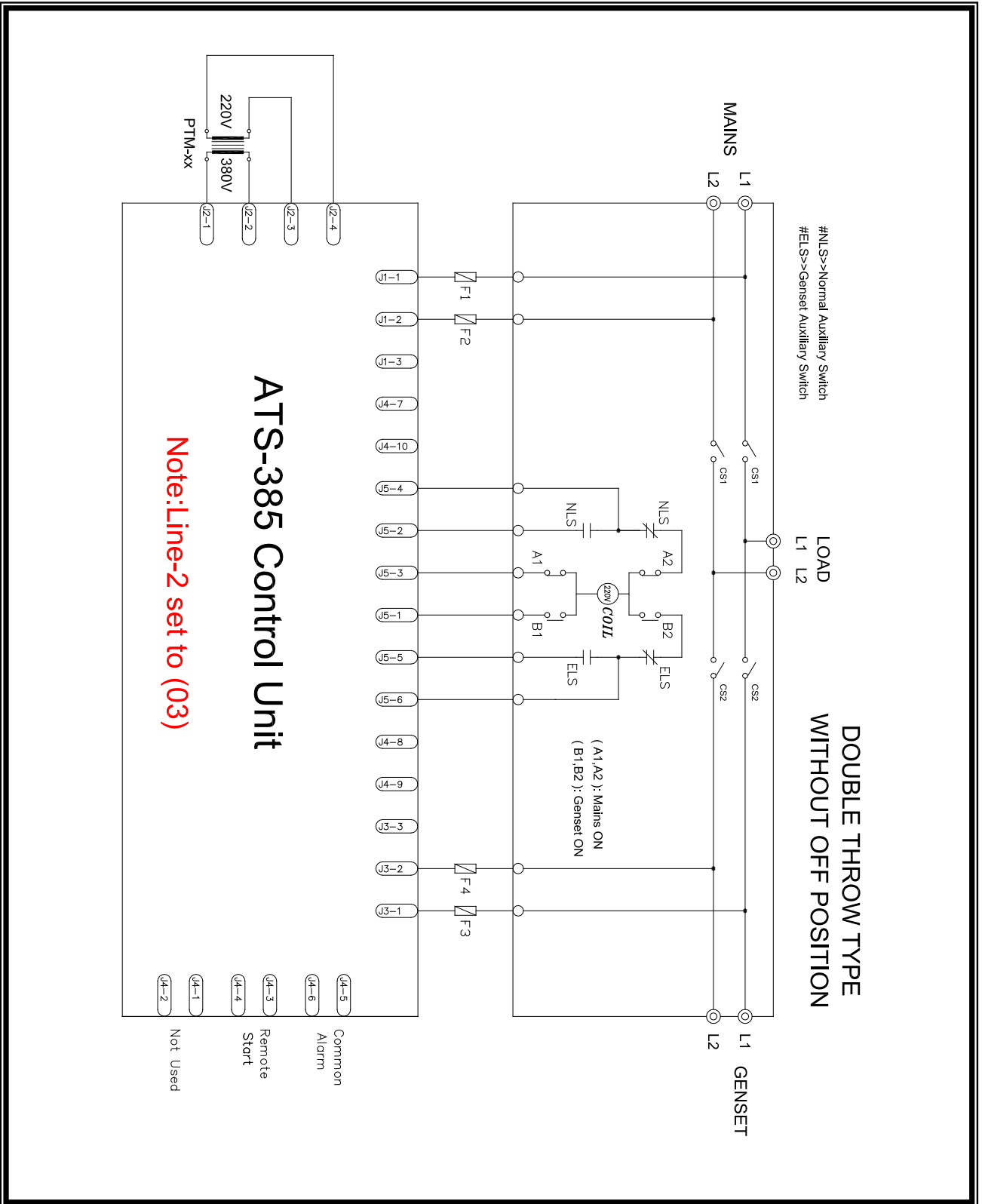
5.8 Air Circuit Breaker Type ATS Wiring Diagram (2P)
 Merlin Gerin MCB Type ATS Wiring Diagram (2P)



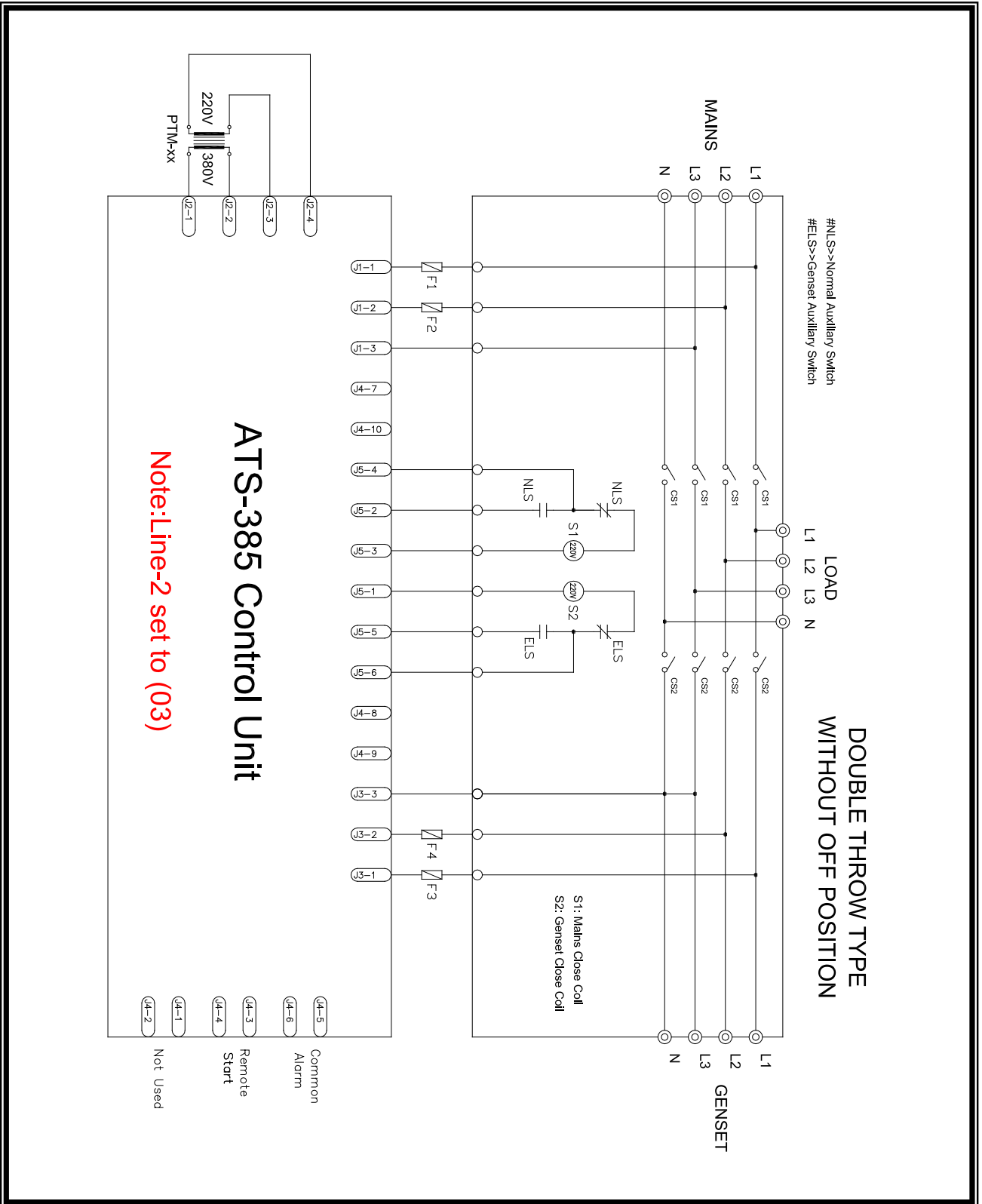
5.9 Double Throw Type ATS Without OFF Position Wiring Diagram (3P/4P) – With A1, A2 & B1, B2



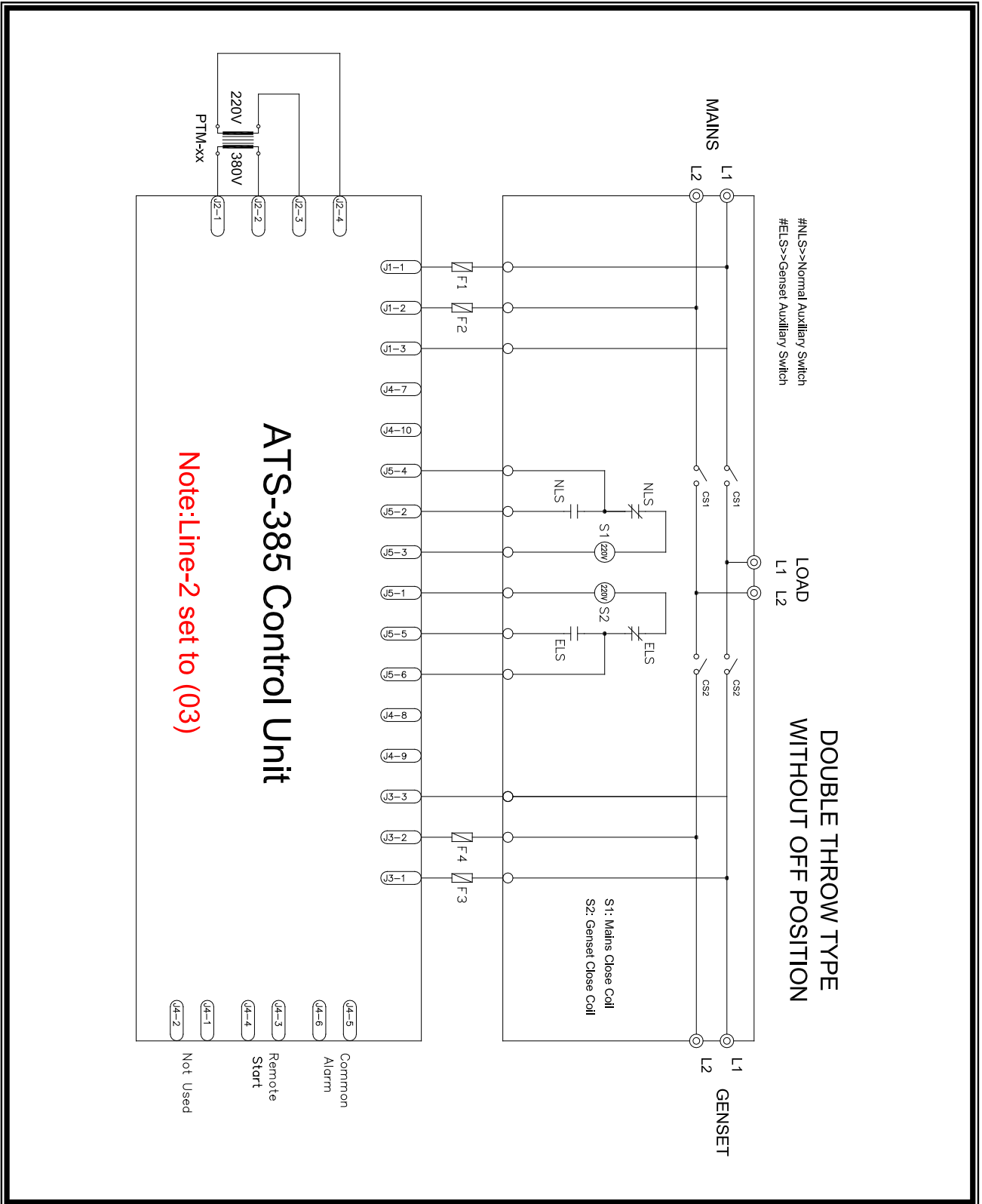
5.10 Double Throw Type ATS Without OFF Position Wiring Diagram (2P) – With A1, A2 & B1, B2



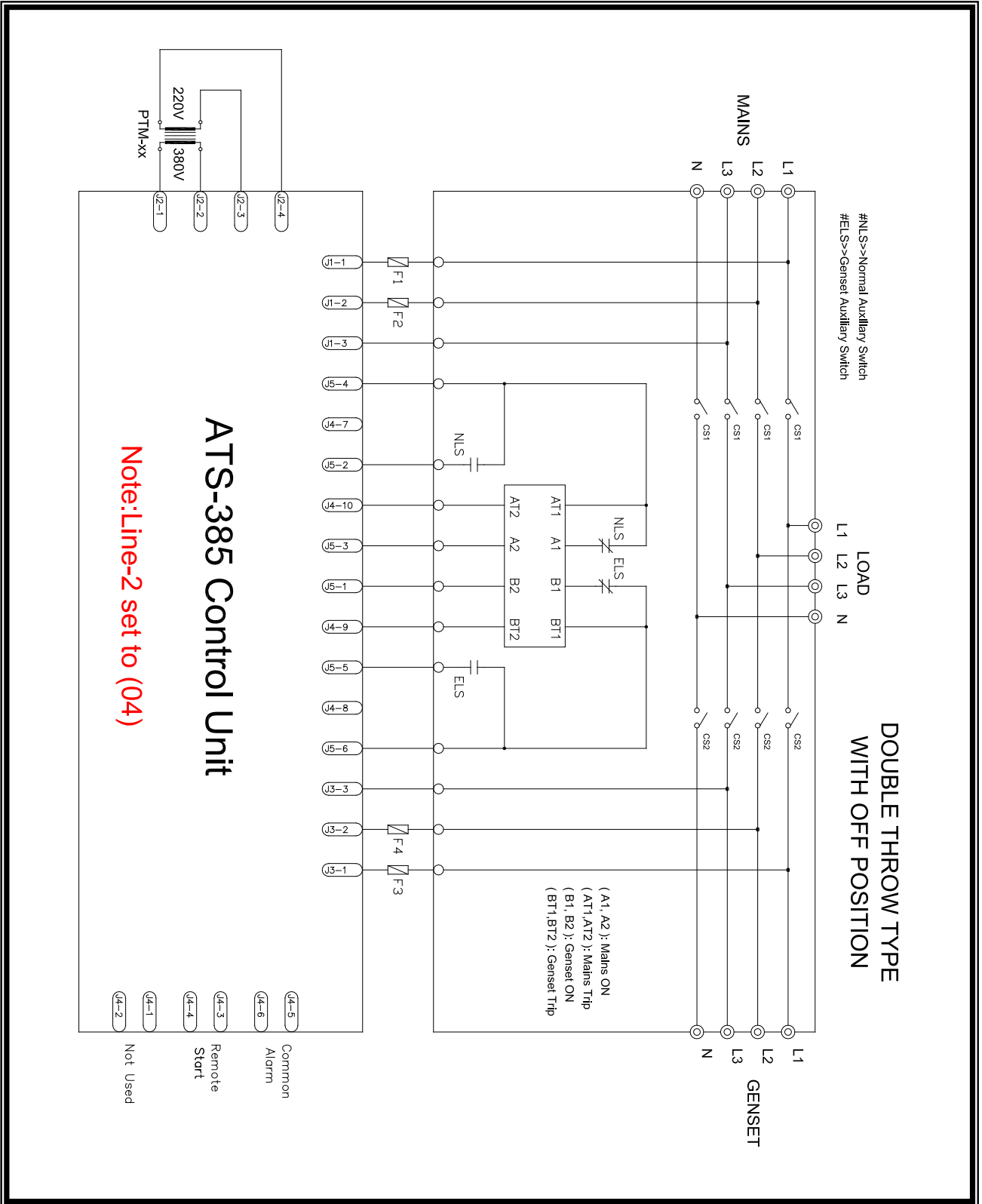
5.11 Double Throw Type ATS Without OFF Position Wiring Diagram (3P/4P) – With S1 & S2 Coils



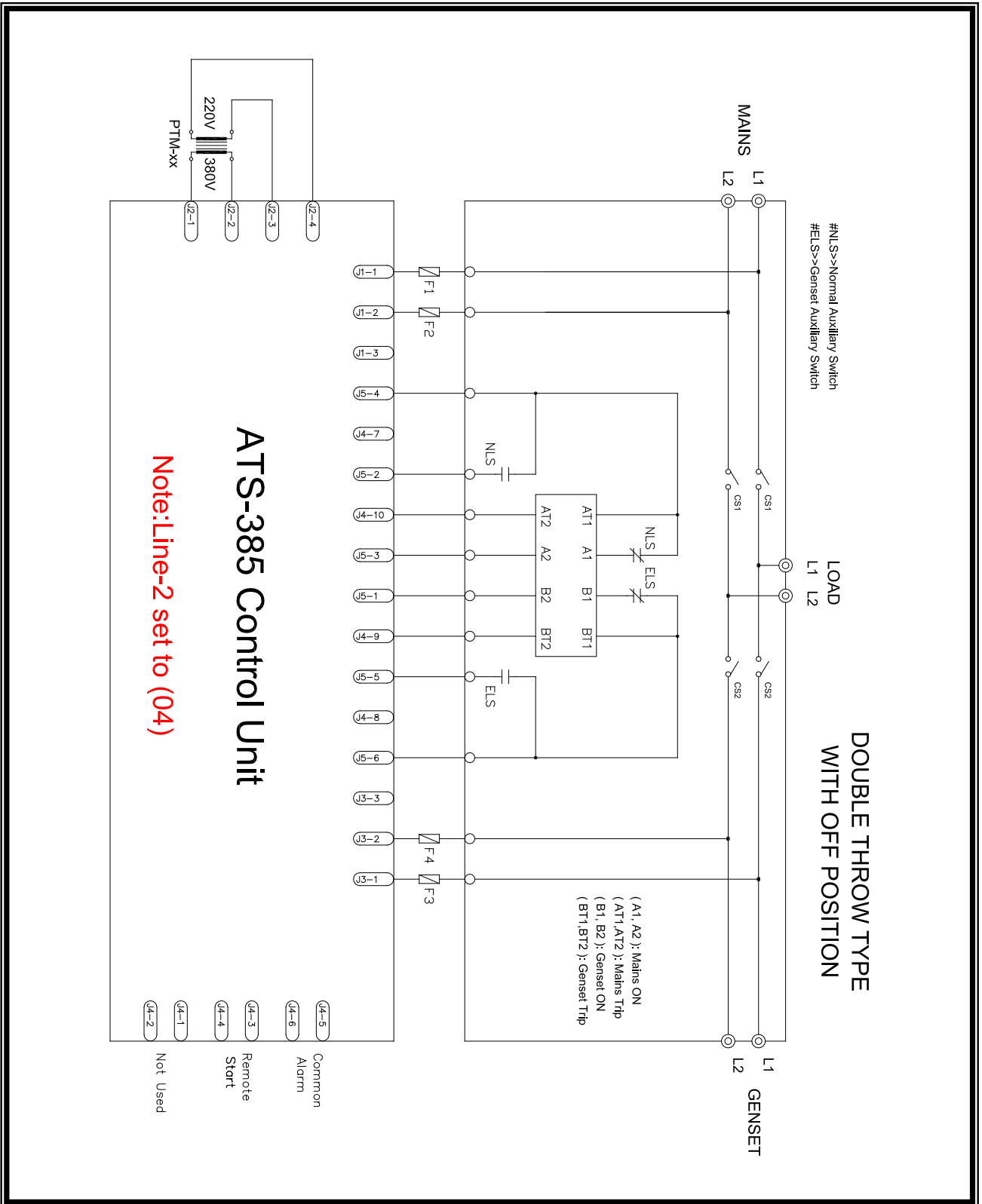
5.12 Double Throw Type ATS Without OFF Position Wiring Diagram (2P) – With S1 & S2 Coils



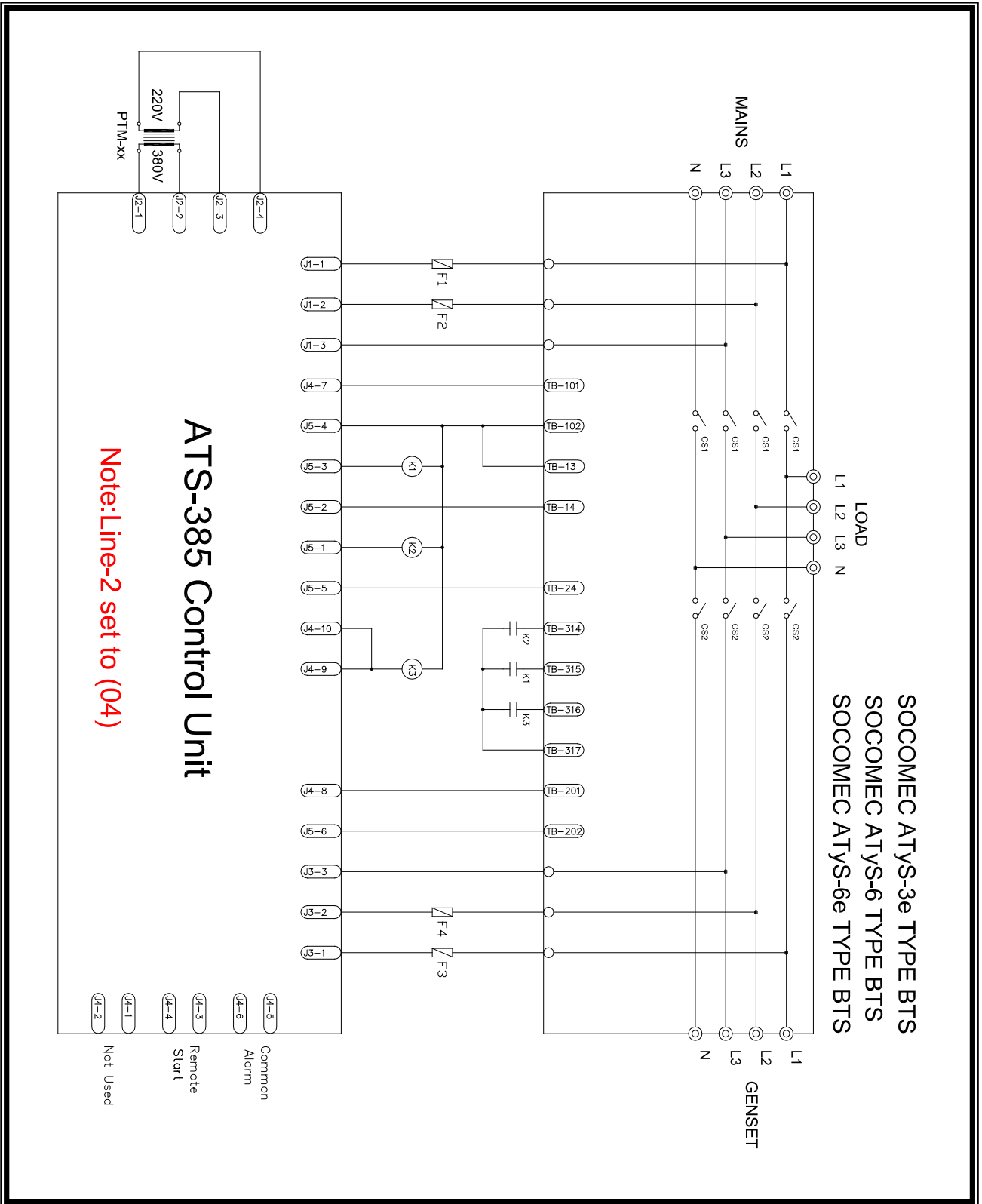
**5.13 Double Throw Type ATS With OFF Position Wiring Diagram (3P/4P)
With A1,A2 & AT1,AT2 & B1,B2 & BT1,BT2 Terminals**



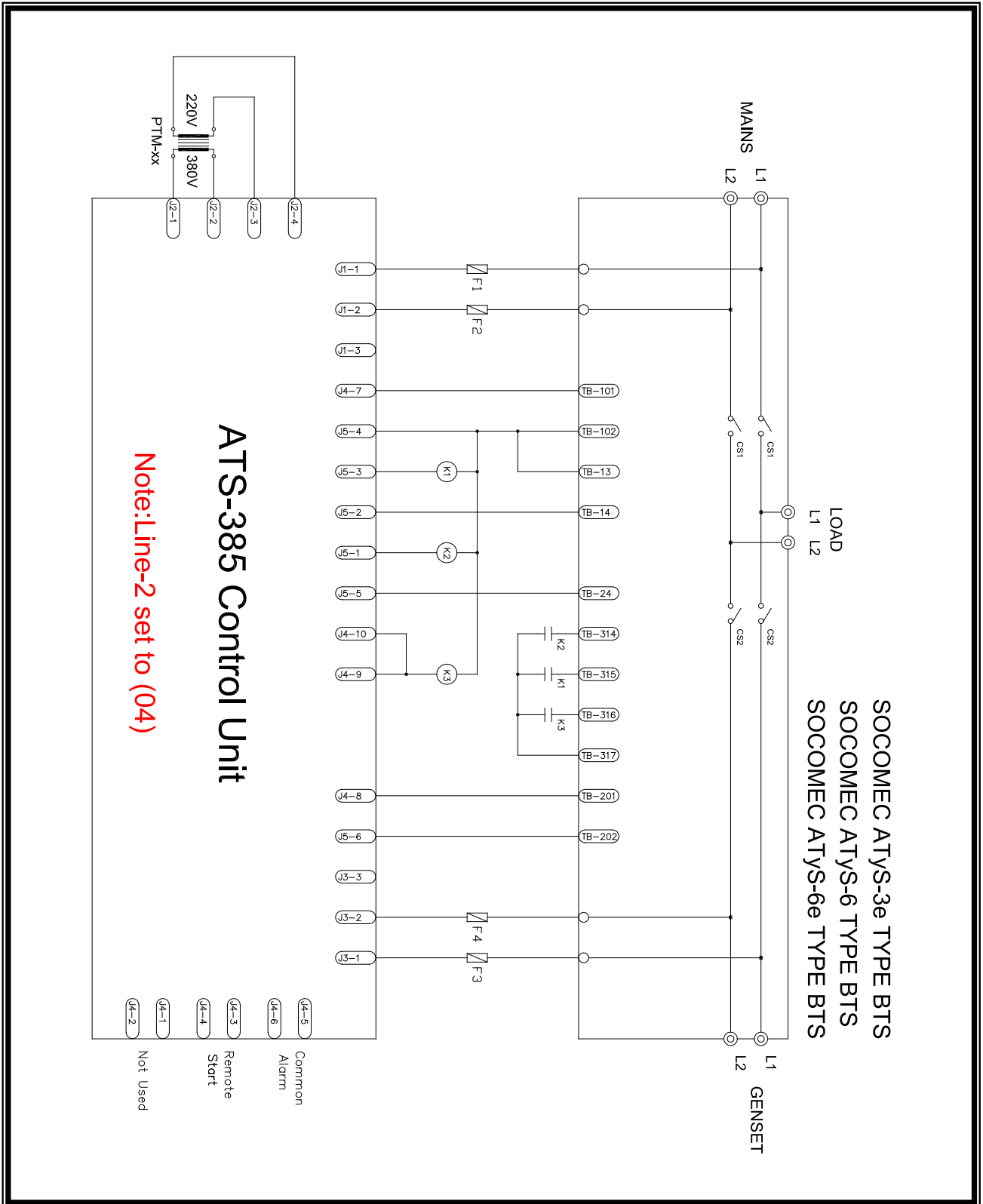
**5.14 Double Throw Type ATS With OFF Position Wiring Diagram (2P)
With A1,A2 & AT1,AT2 & B1,B2 & BT1,BT2 Terminals**



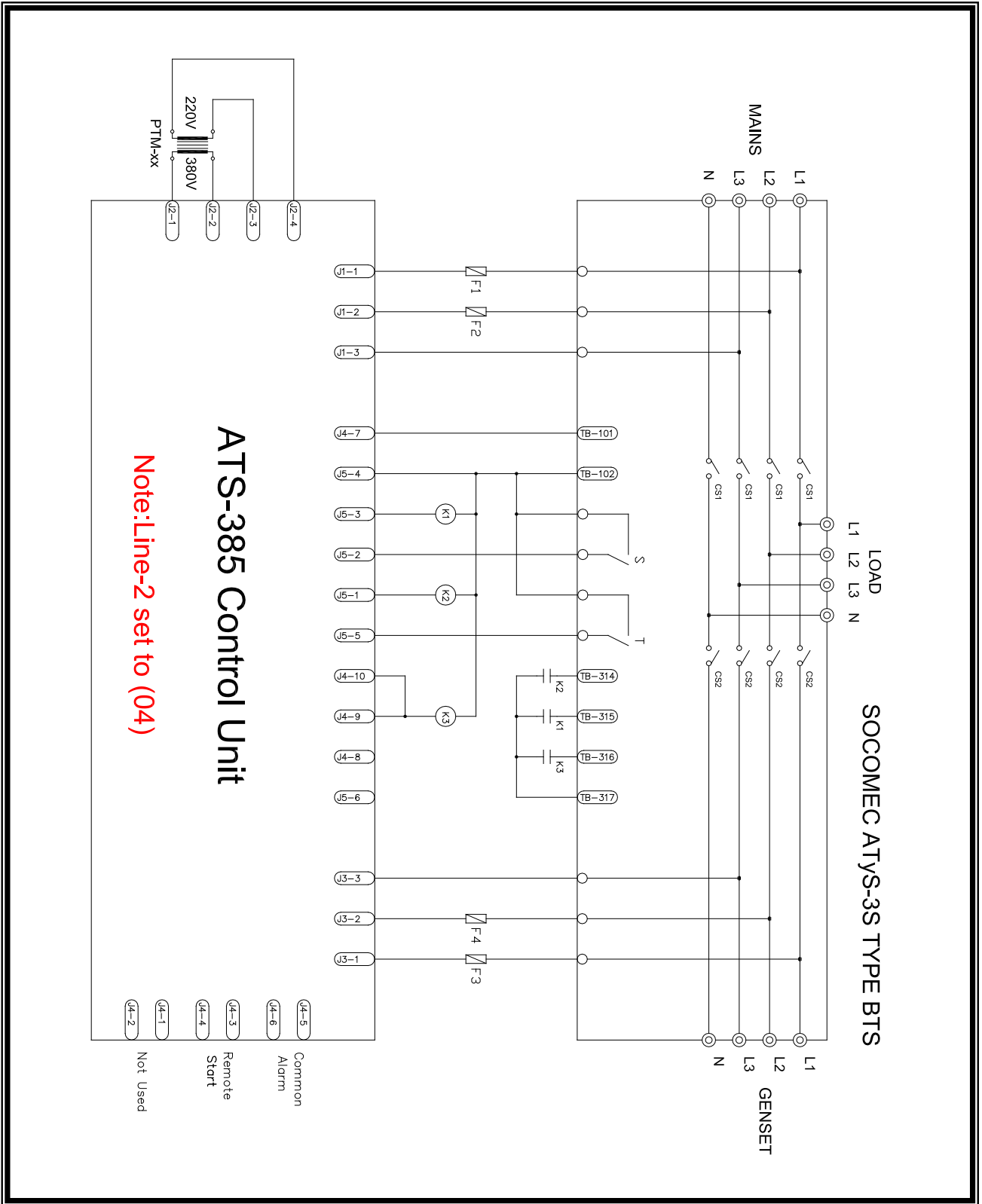
5.15 SOCOMEC ATyS-3e & ATyS-6 & ATyS-6e Type ATS Wiring Diagram (3P/4P)



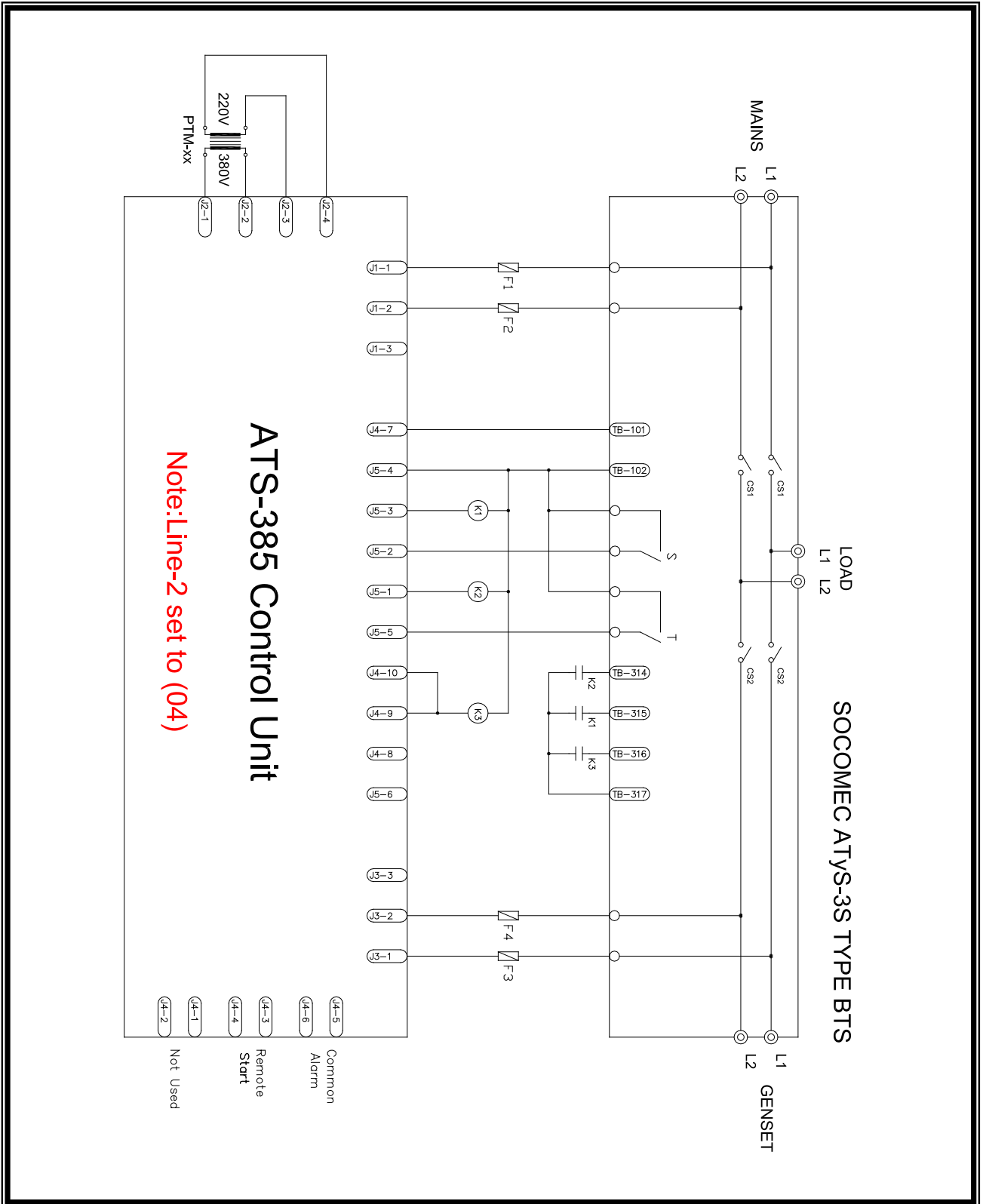
5.16 SOCOMEC ATyS-3e & ATyS-6 & ATyS-6e Type ATS Wiring Diagram (2P)



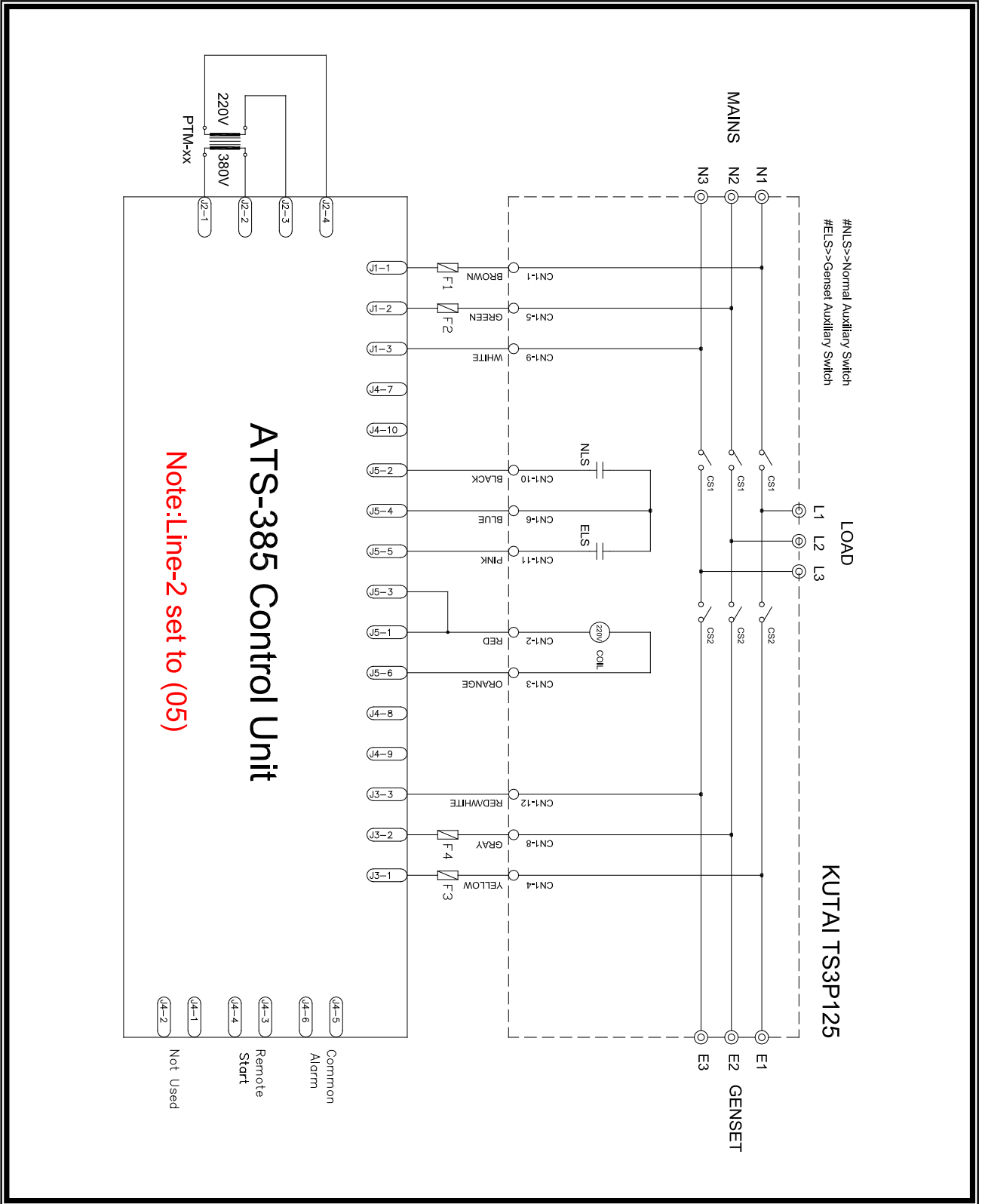
5.17 SOCOMEC ATyS-3S type ATS Wiring Diagram (3P/4P)



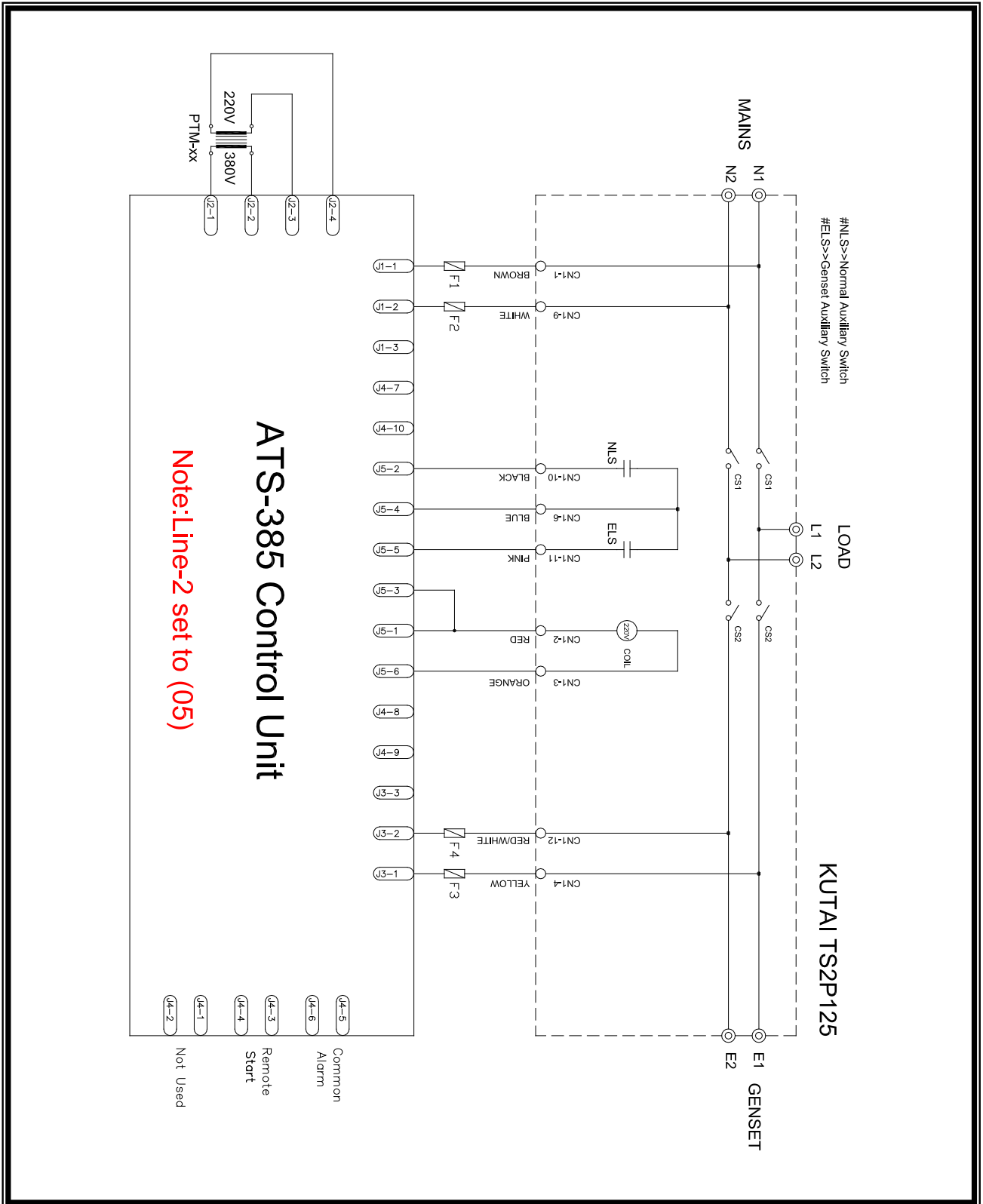
5.18 SOCOMEC ATyS-3S type ATS Wiring Diagram (2P)



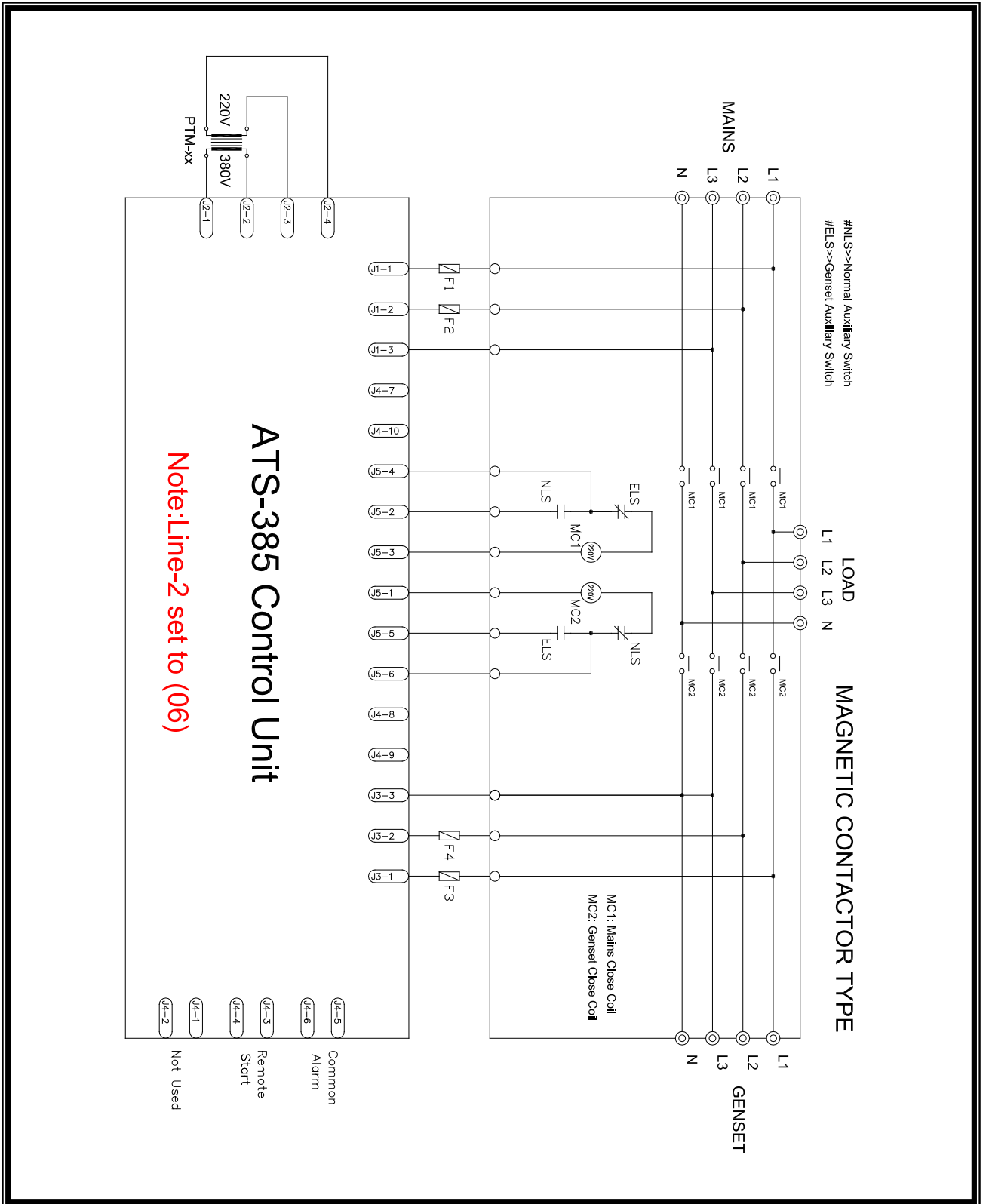
5.19 KUTAI TS-XXX Type ATS Wiring Diagram (3P)



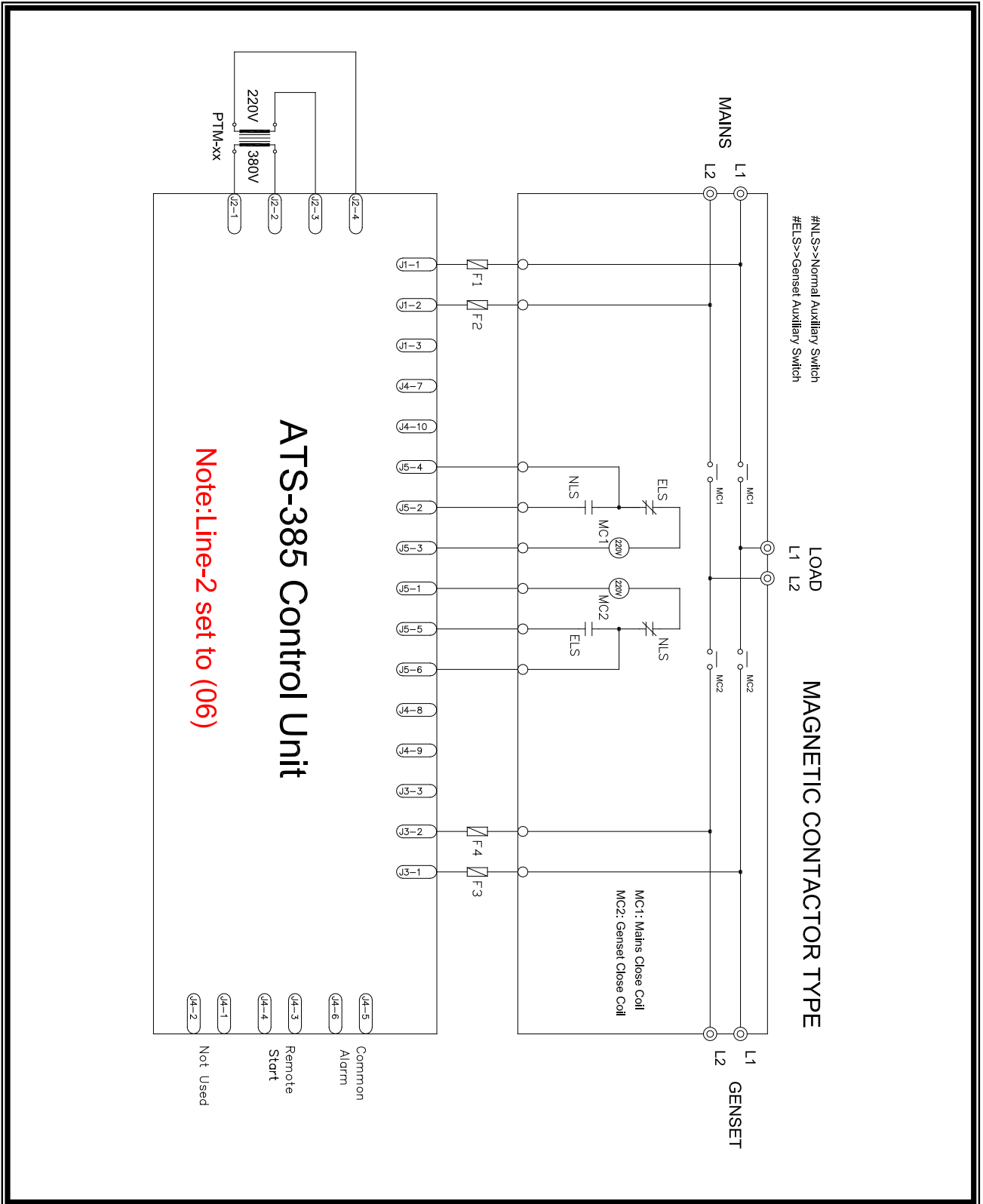
5.20 KUTAI TS-XXX Type ATS Wiring Diagram (2P)



5.21 Magnetic Contactor Type ATS Wiring Diagram (3P/4P)



5.22 Magnetic Contactor Type ATS Wiring Diagram (2P)



5.23 ATS-385 without PTM-xx Wiring Diagram

(Note: When using this wiring the Neutral phase of Mains and Genset must not be separated)

